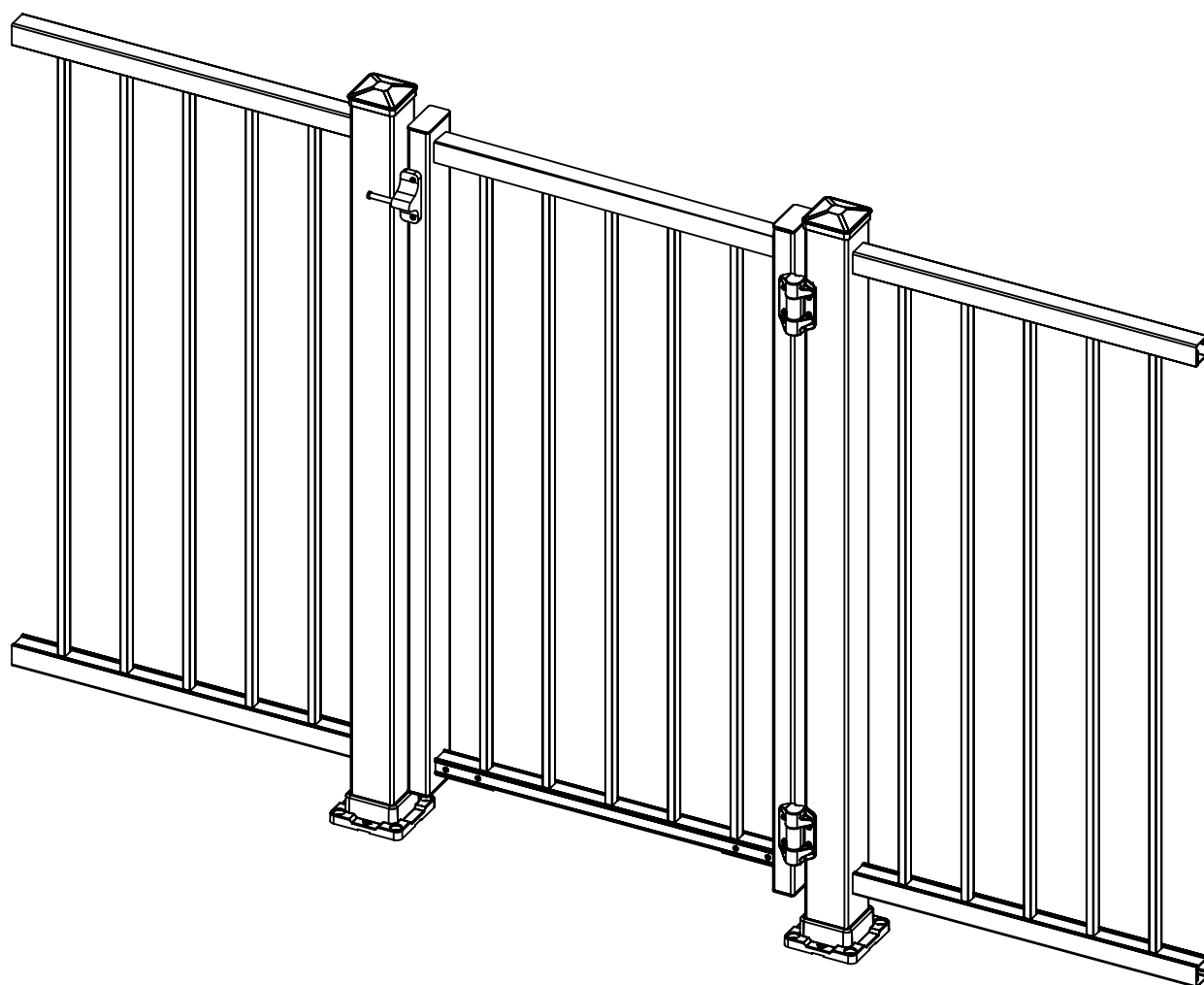


# ADJUSTABLE DOOR

---



**Installation Guide**

## Required tools



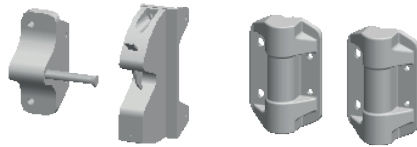
- Drill
- Drill Square Bit Set
- Bit of 3/8 and 5/32
- Tape Measure
- Miter Saw, wood or metal blade
- Sharpie Pencil

## Included hardware

---



**X 28  
SCREWS**



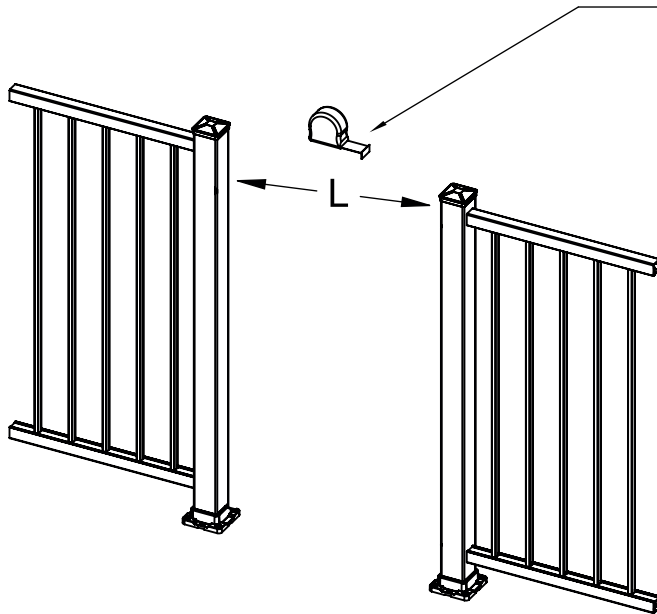
### **Hardware box for door**

- **Black paint 2X**
- **Black door latch**
- **Screws 8x**



1 888 994-3130  
ventes@avenord.ca

# STEP 1



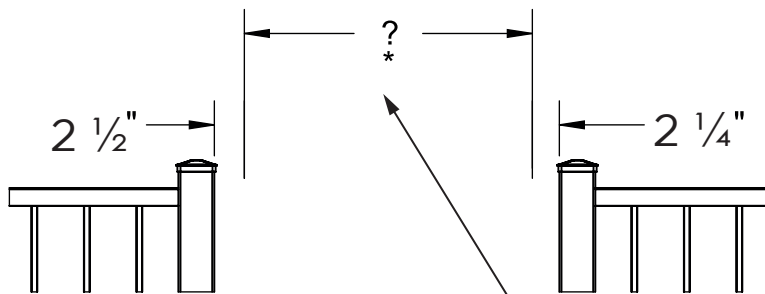
Measure the "L" distance between posts\*.

Write your measure here:



\_\_\_\_\_

# STEP 2



Use step 1 measure and remove 4.75" (120 mm). Result will give you the cut measurement of the railing section.

Measure from step 1



\_\_\_\_\_

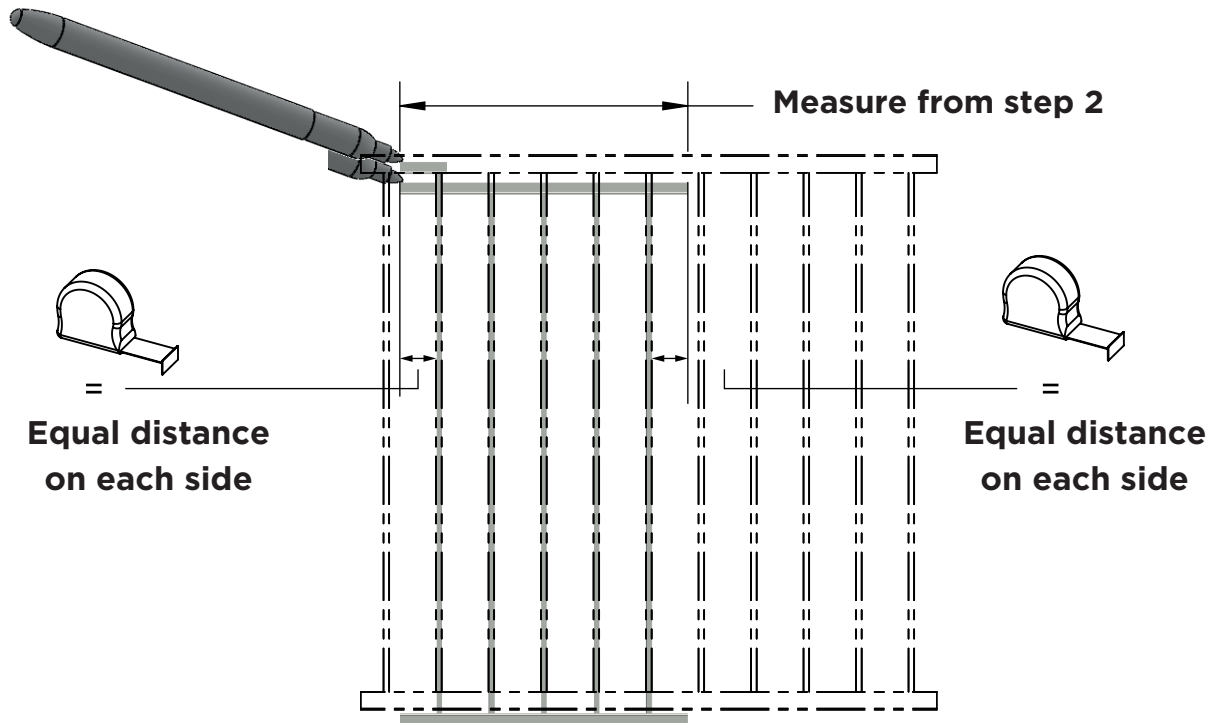
- 4,75" =

\_\_\_\_\_

# STEP 3

---

Use measure from step 2 to mark your cutting distance.



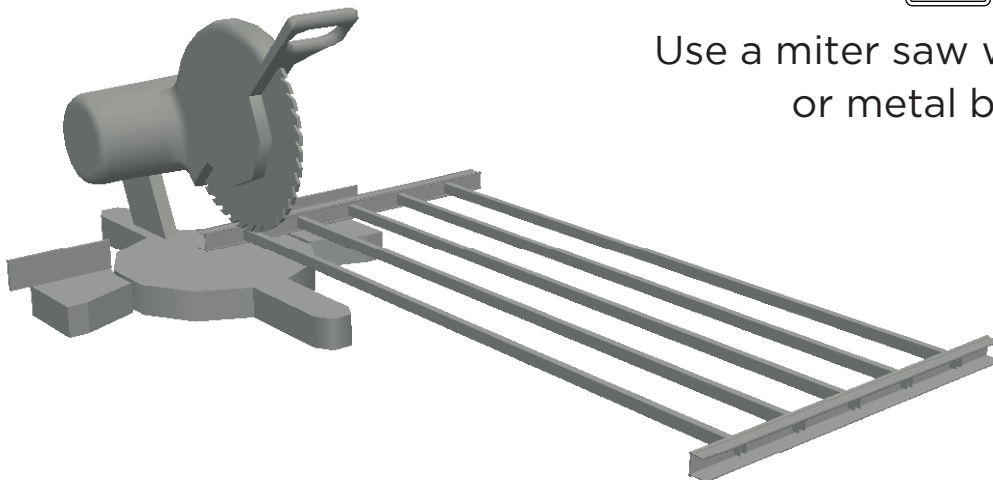
# STEP 4

---

Cut according your marks.



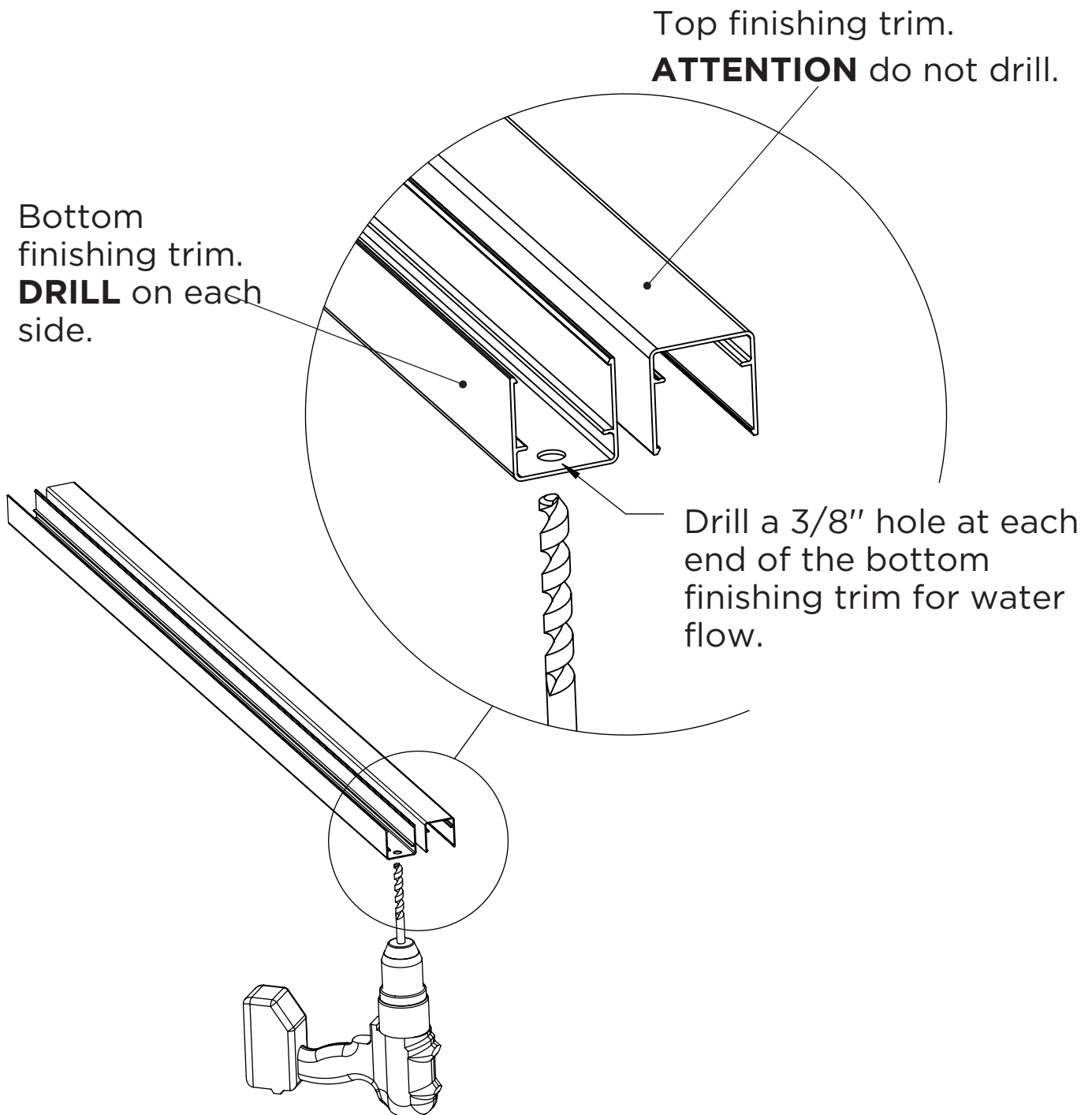
Use a miter saw with a wood or metal blade.



# STEP 5

---

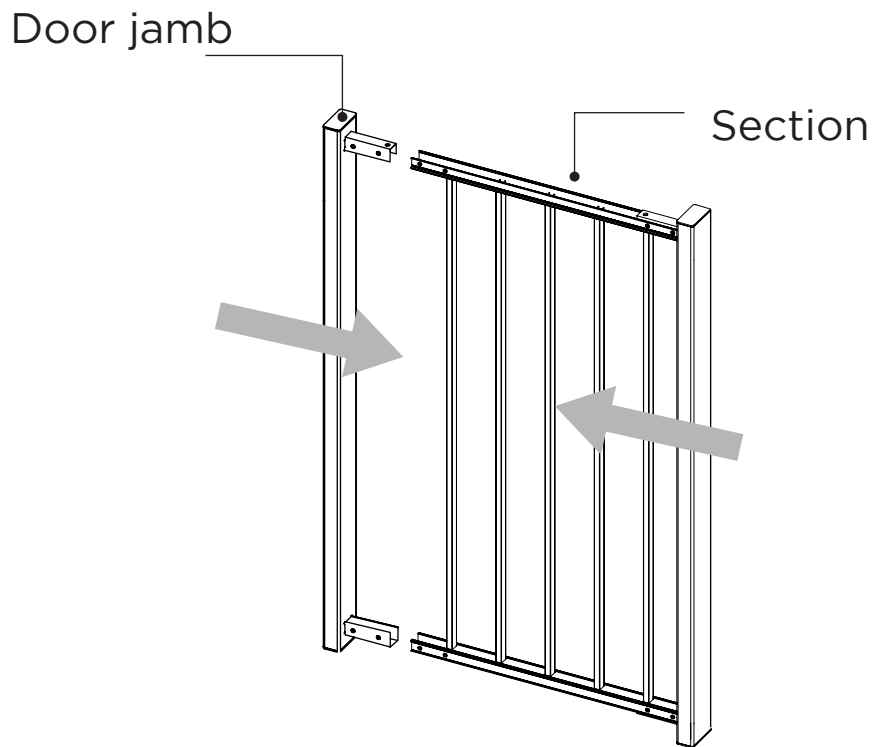
Cut the finishing trims  $1/16''$  less than your "L" measurement from step 1. This is to avoid scratching door jambs during installation.



# STEP 6

---

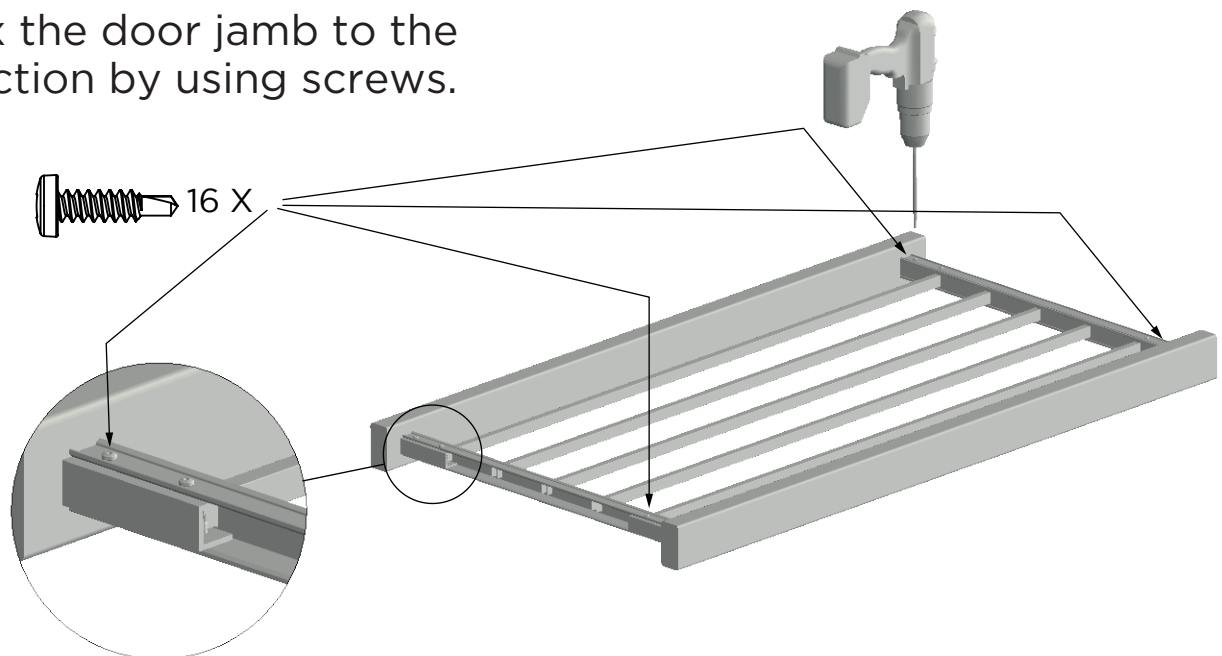
Insert jambs on each side of the section.



# STEP 7

---

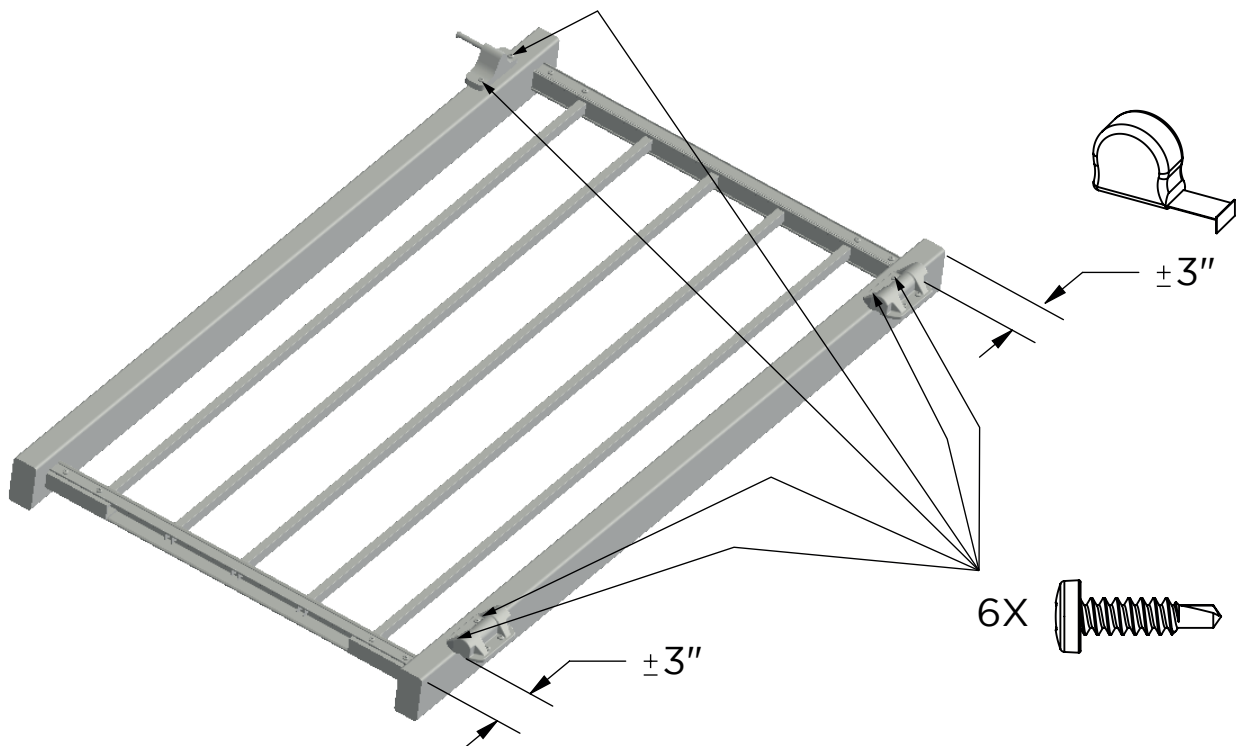
Fix the door jamb to the section by using screws.



# STEP 8

Secure the hinges to the door jamb with screws and fix the latch.

**\* BE AWARE OF THE DOOR SWING \***



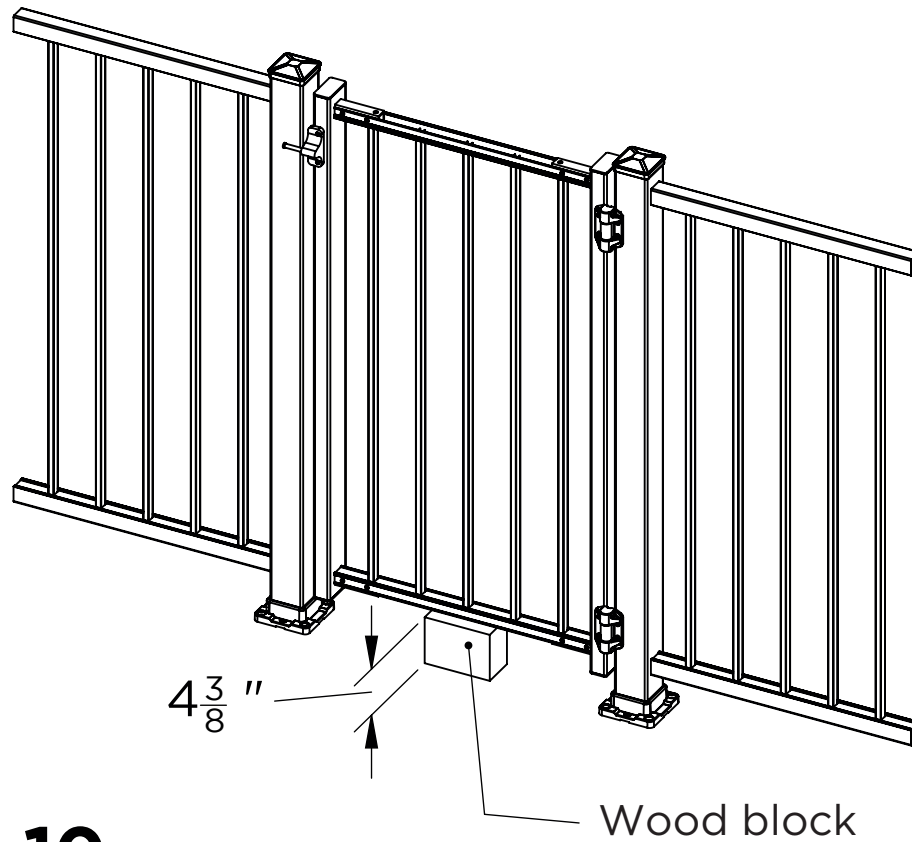
## ATTENTION

VALIDATE DOOR SWING BEFORE ATTACHING THE HINGES. IT IS POSSIBLE THAT HINGES MUST BE INSTALLED DIFFERENTLY THAN SHOWN.

# STEP 9

---

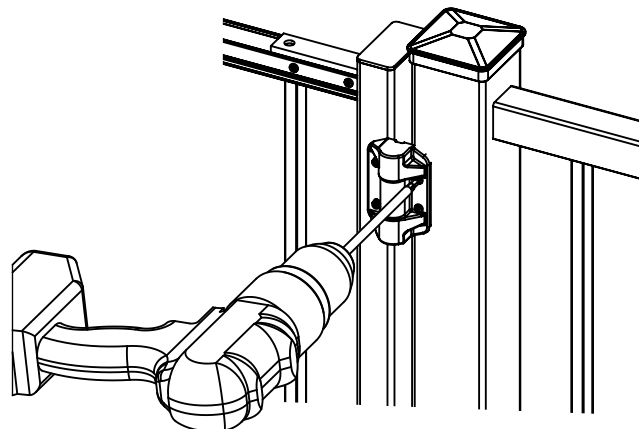
Place a wood block of 4"  $\frac{3}{8}$ " high under the unfinished jamb at the bottom of the door.



# STEP 10

---

Fasten door hinges to the posts.





# STEP 11

---

Install the finishing trims on top and bottom of the door.

If you use wood blocks as mentioned in Step 9, distance between the ground and bottom of the railing will automatically have the regulatory measurement of 3 7/8".

