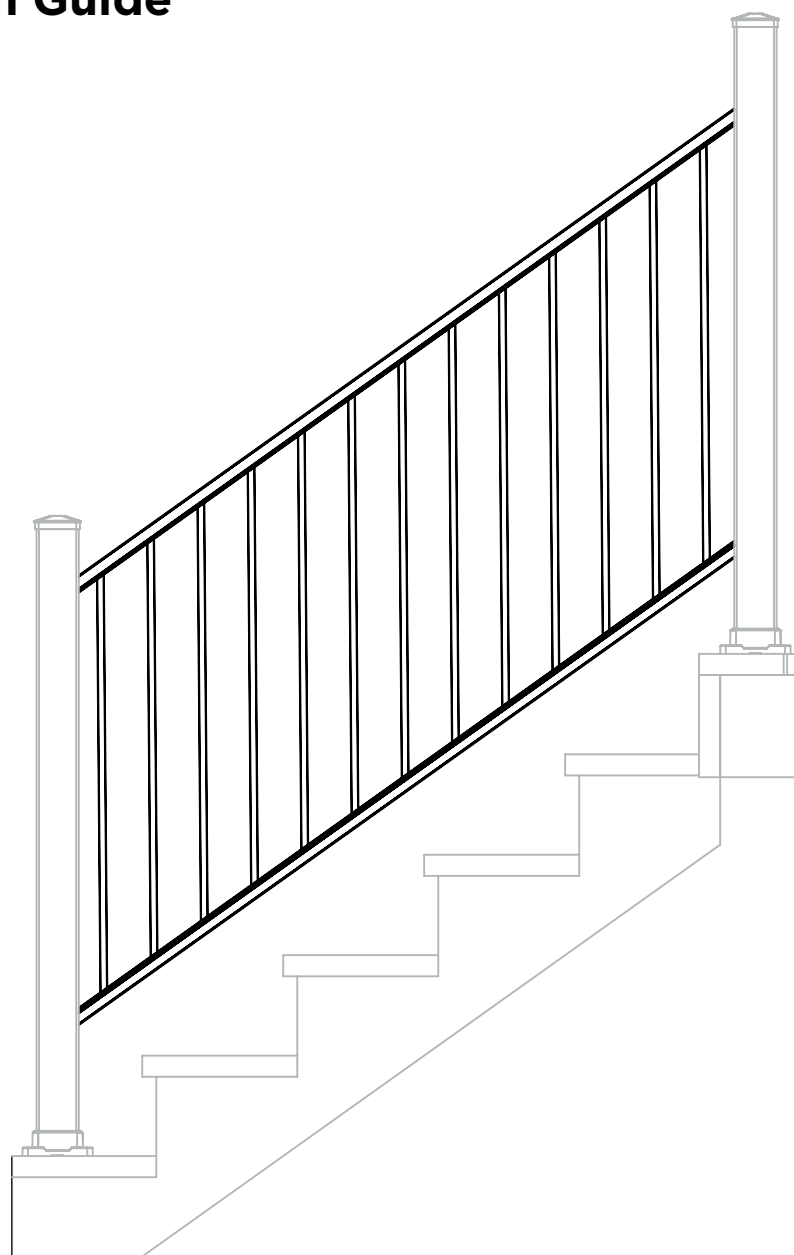


# STAIR DESCENT WITH BALUSTERS

---

## Installation Guide



See installation video



A Dekavie Partner

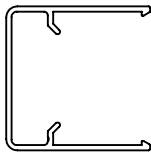
## Required tools



- Drill
- Drill Square Bit Set
- Bit of 3/8
- Tape Measure
- Miter Saw, wood or metal blade
- Sharpie Pencil

## Included hardware

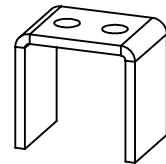
---



**X 2**  
**CAP TRIMS**



**X 18**  
**SCREWS**



**X 4**  
**SPACERS**



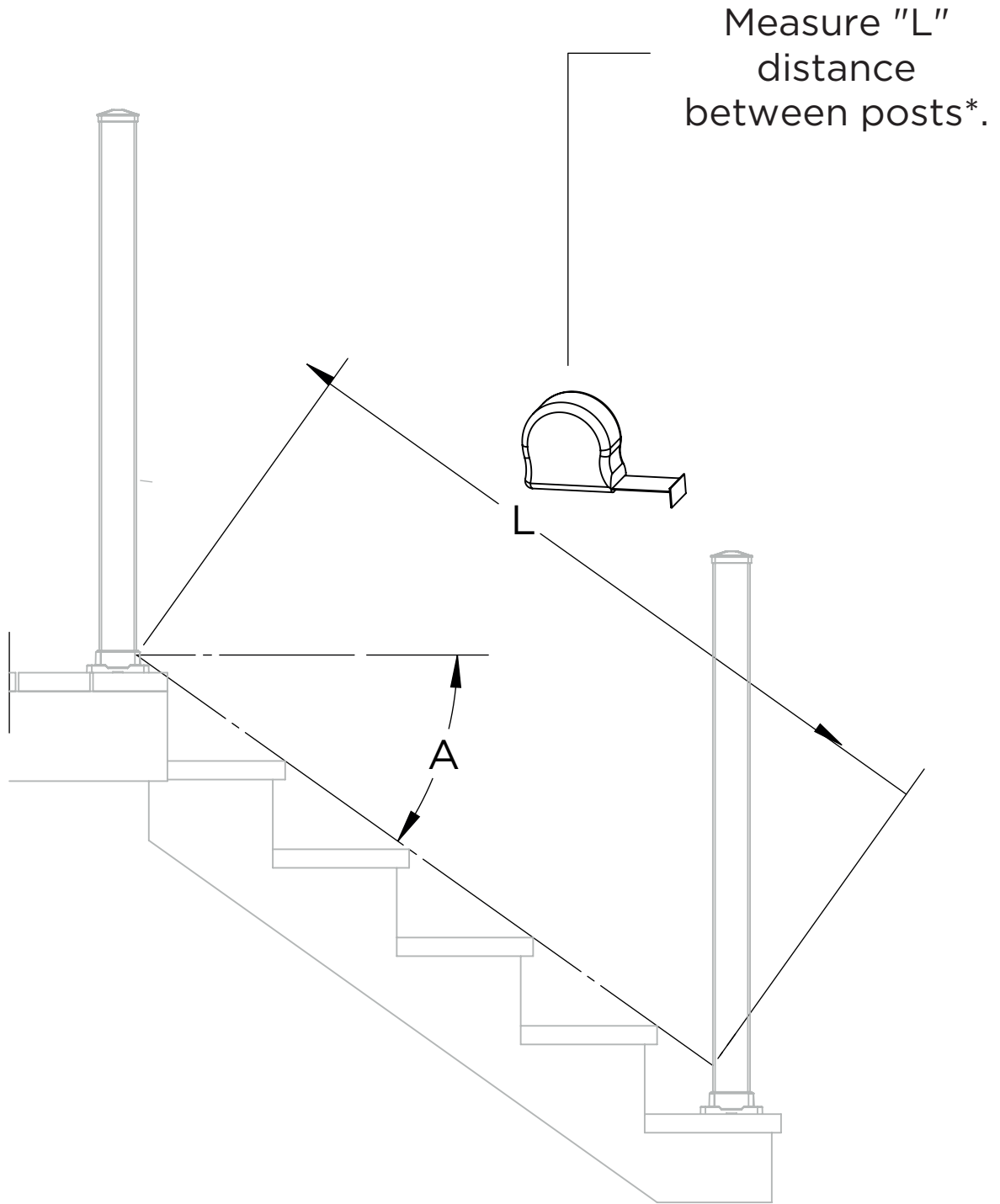
**DEKAVIE**

An Avenord Division

1 888 994-3130  
ventes@avenord.com

# STEP 1

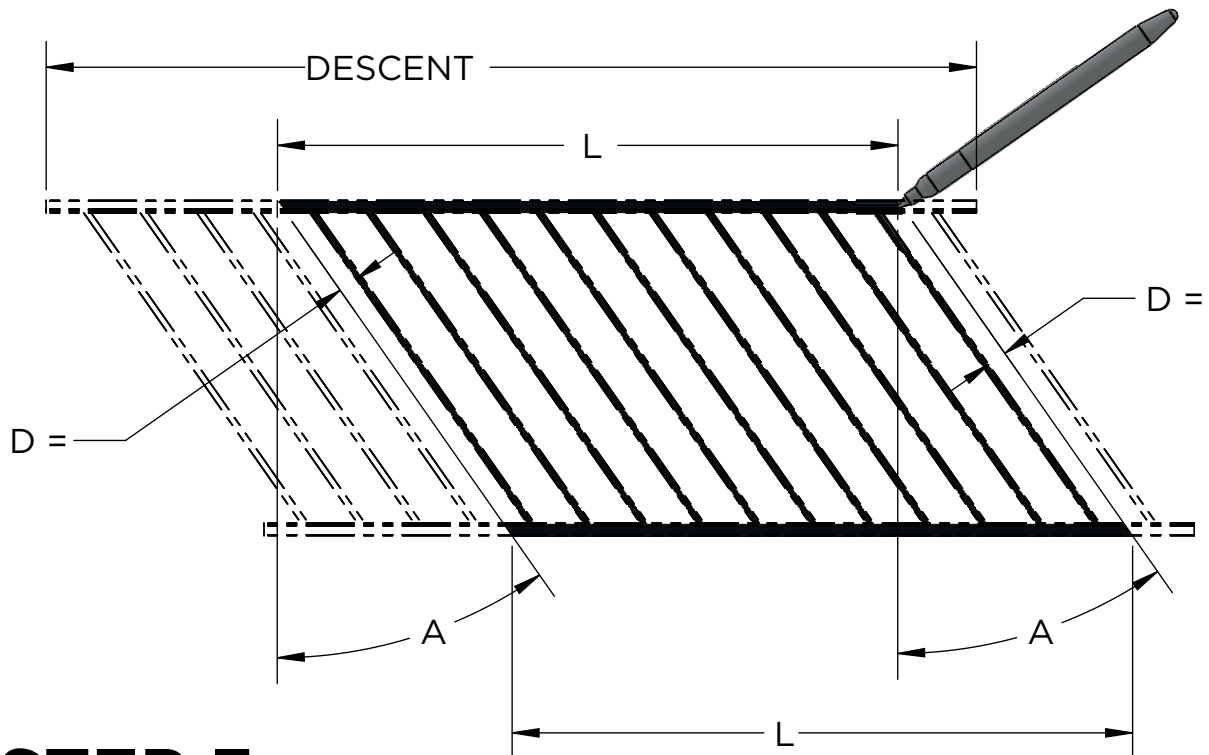
---



## STEP 2

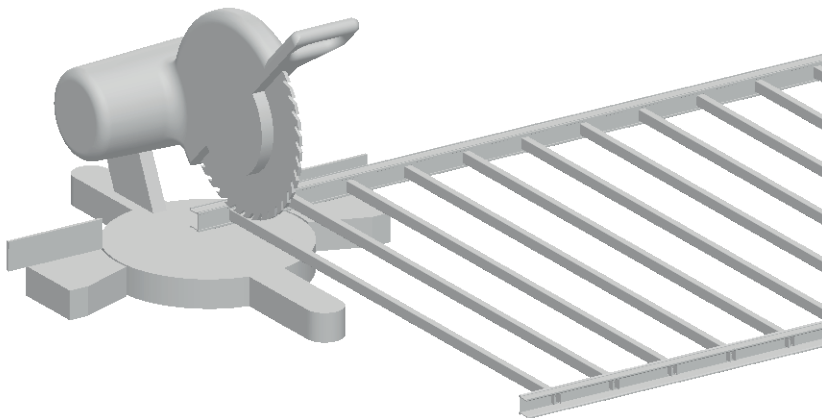
Use the measurement in step 1 to mark your cutting distance.

Make sure that the distance "D" between the end of the ramp and the first rung is equal on each side.



## STEP 3

Cut according your marks.

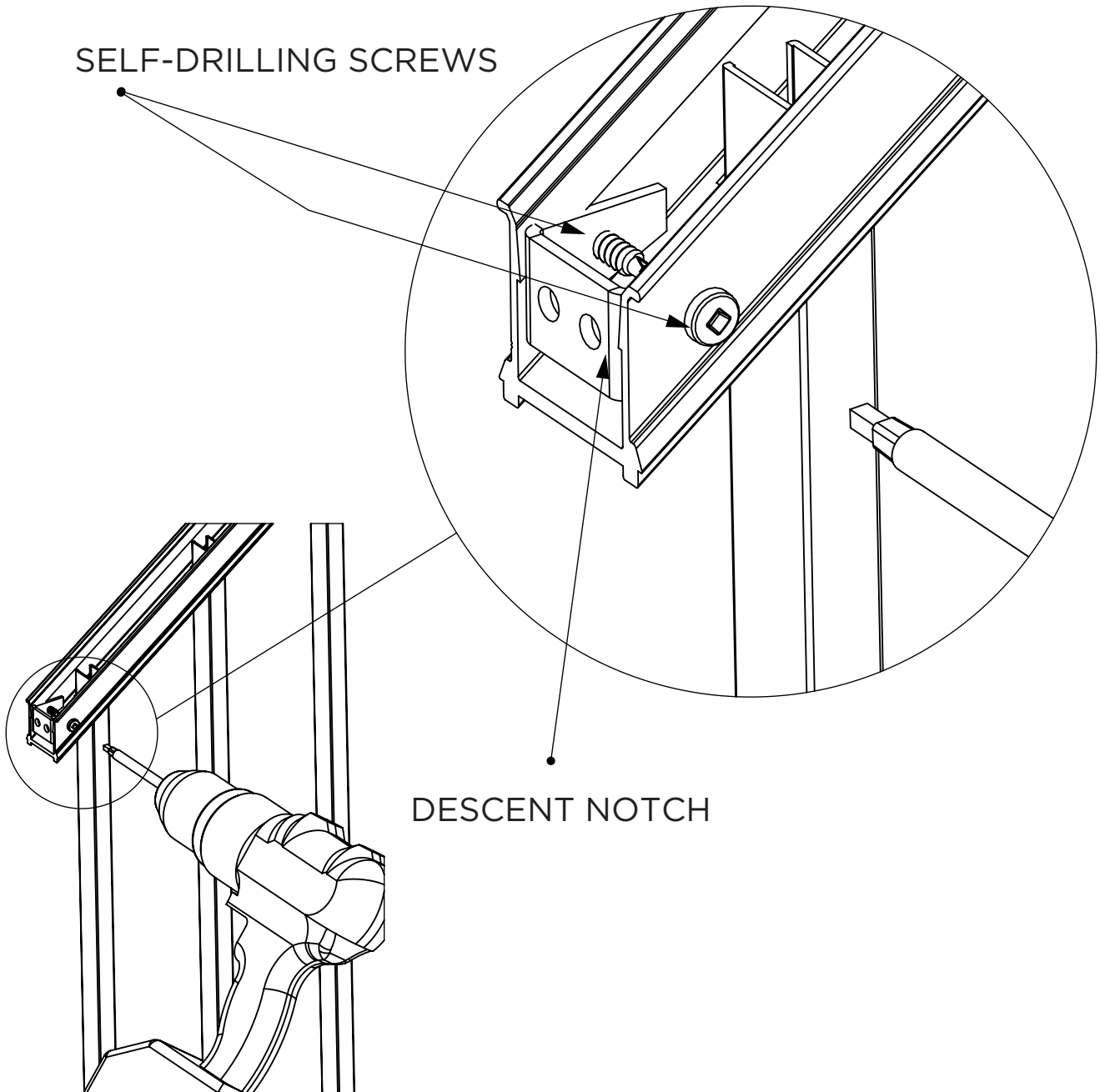


Use a miter saw with a wood or metal blade

# STEP 4

---

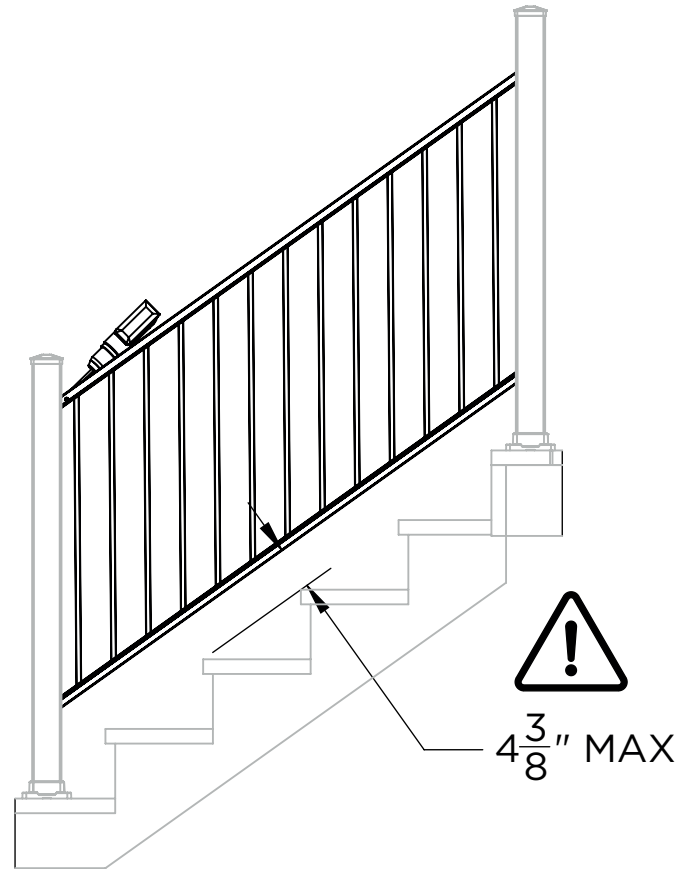
Position the notches at the ends. Attach them using 2 self-drilling screws.



# STEP 5

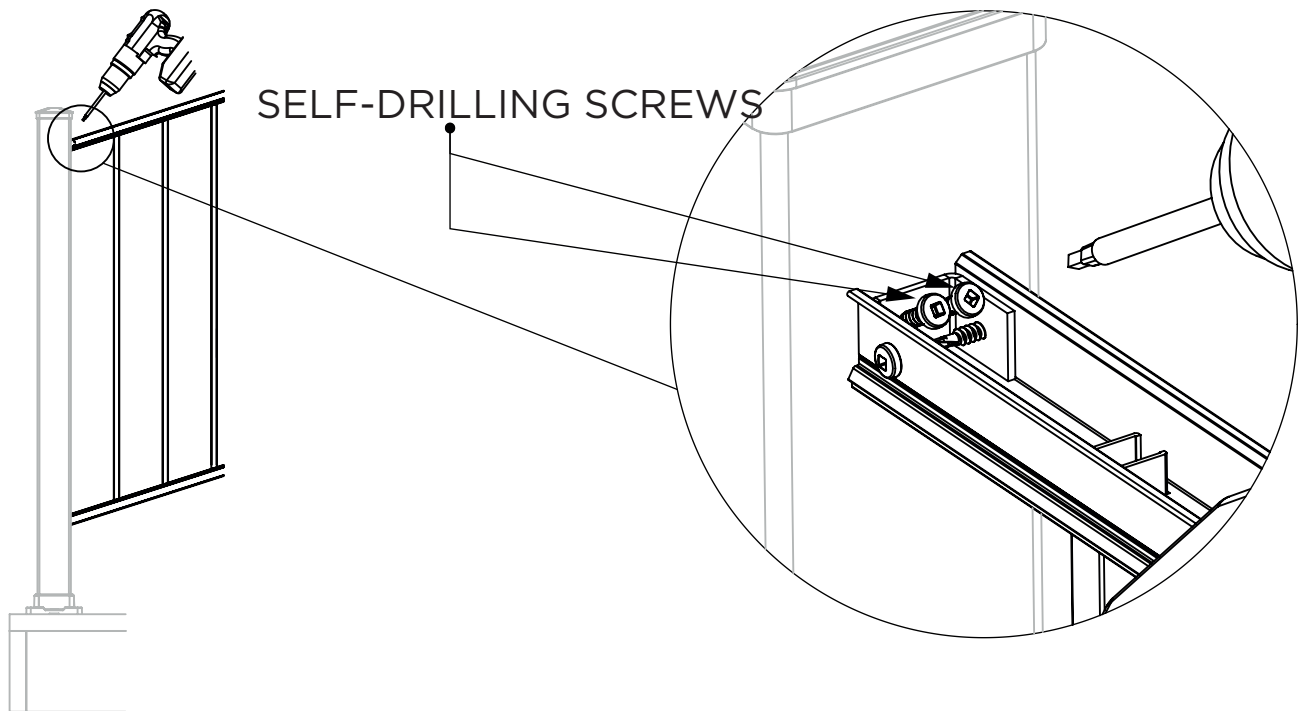
---

Position the downspout at a height of 4 3/8" from the nose of the step before installing the trim mouldings.



# STEP 6

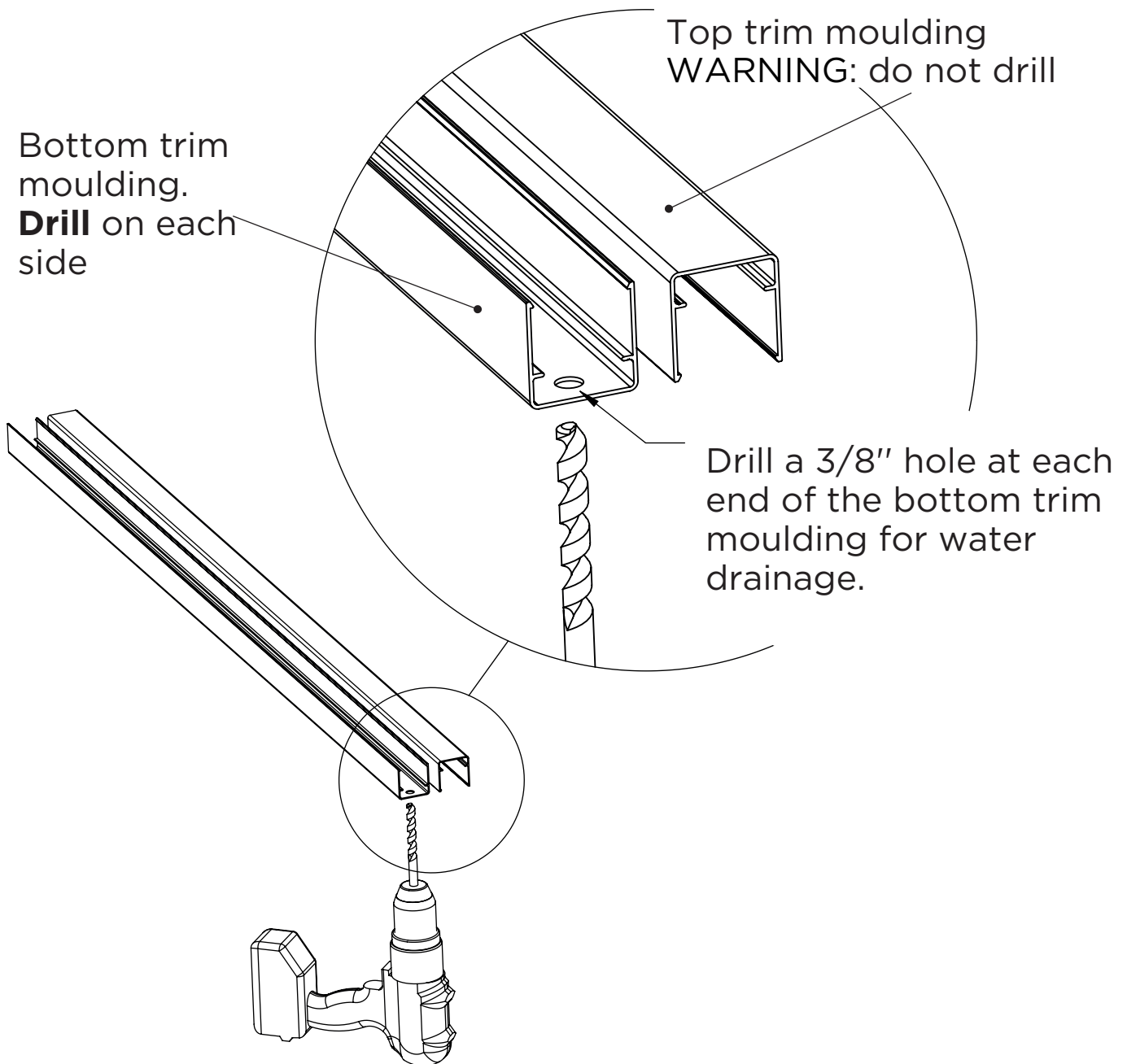
---



# STEP 7

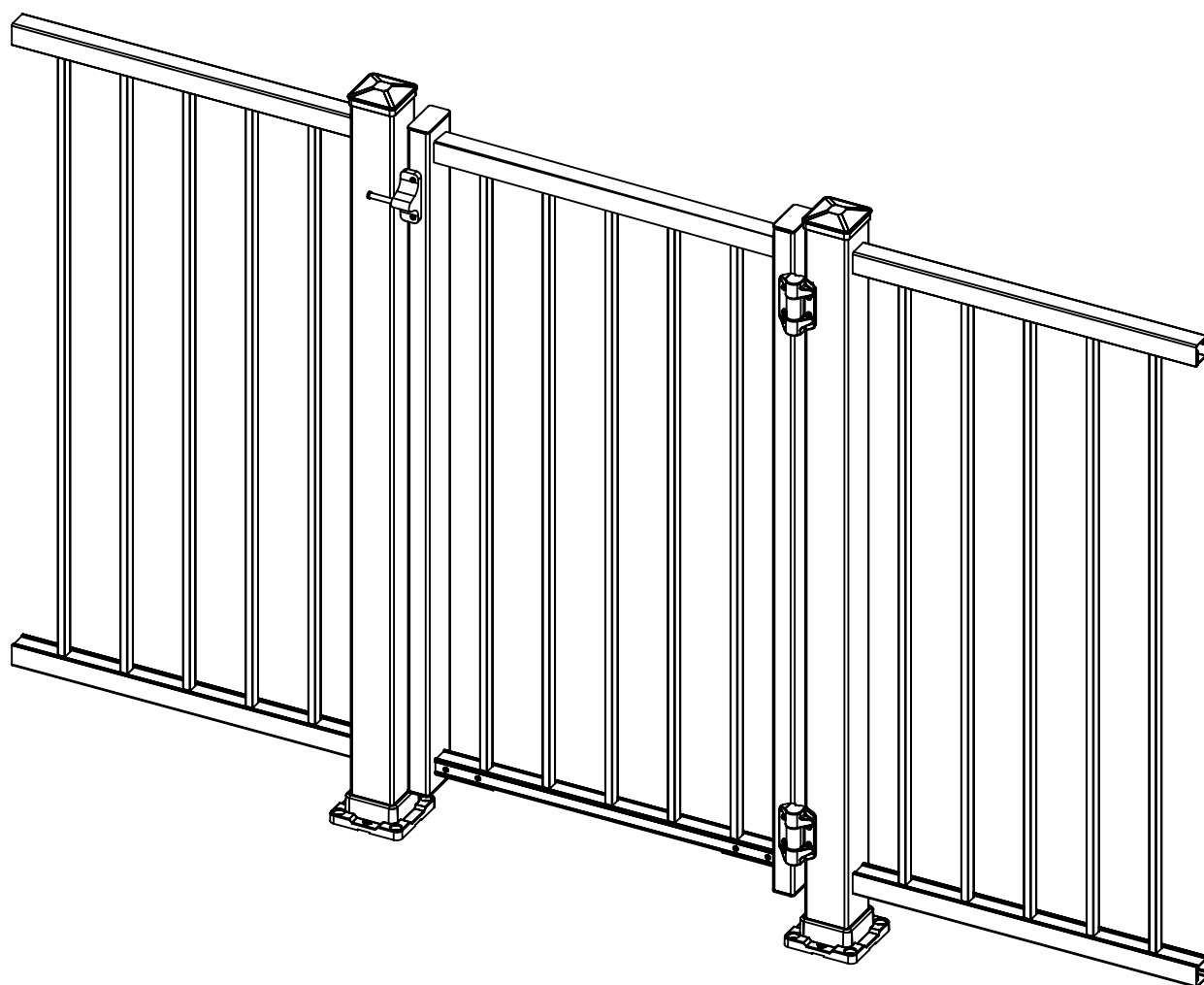
---

Cut the trim mouldings 1/16" smaller than your "L" measurement from step 1. This is to ensure that the pole is not scratched during installation.  
Drill both ends of the bottom trim moulding to allow water to drain away.



# ADJUSTABLE DOOR

---



**Installation Guide**





## Required tools



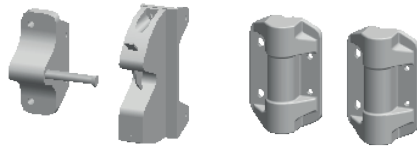
- Drill
- Drill Square Bit Set
- Bit of 3/8 and 5/32
- Tape Measure
- Miter Saw, wood or metal blade
- Sharpie Pencil

## Included hardware

---



**X 28  
SCREWS**



### **Hardware box for door**

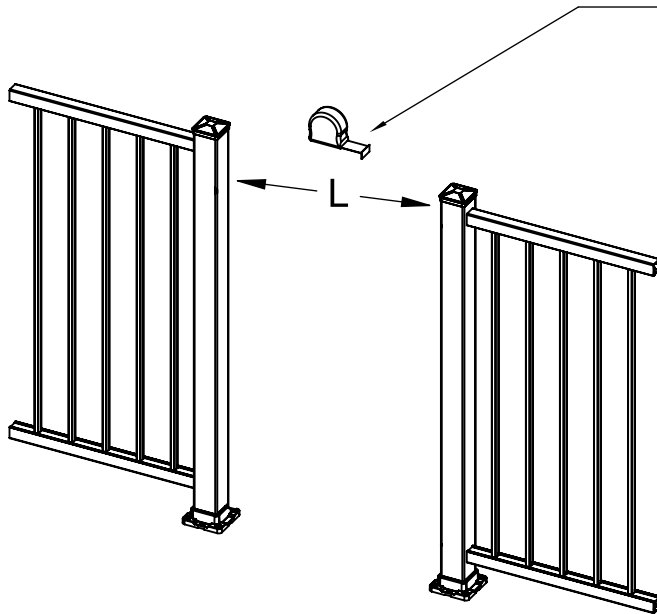
- **Black paint 2X**
- **Black door latch**
- **Screws 8x**



1 888 994-3130  
ventes@avenord.ca

# STEP 1

---



Measure the "L" distance between posts\*.

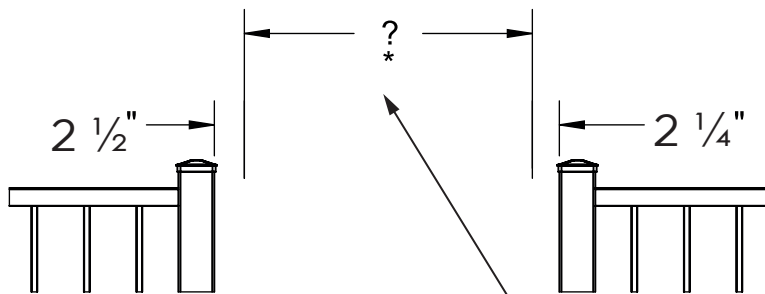
Write your measure here:



\_\_\_\_\_

# STEP 2

---



Use step 1 measure and remove 4.75" (120 mm). Result will give you the cut measurement of the railing section.

Measure from step 1



\_\_\_\_\_

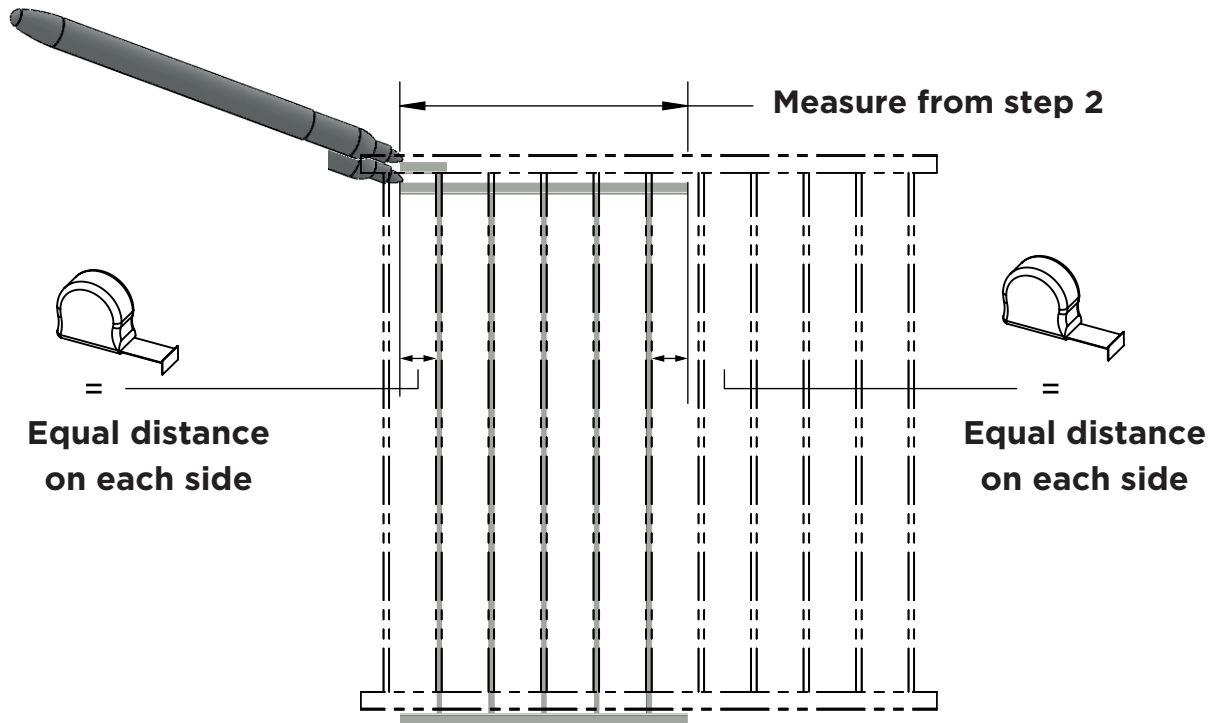
- 4,75" =

\_\_\_\_\_

# STEP 3

---

Use measure from step 2 to mark your cutting distance.



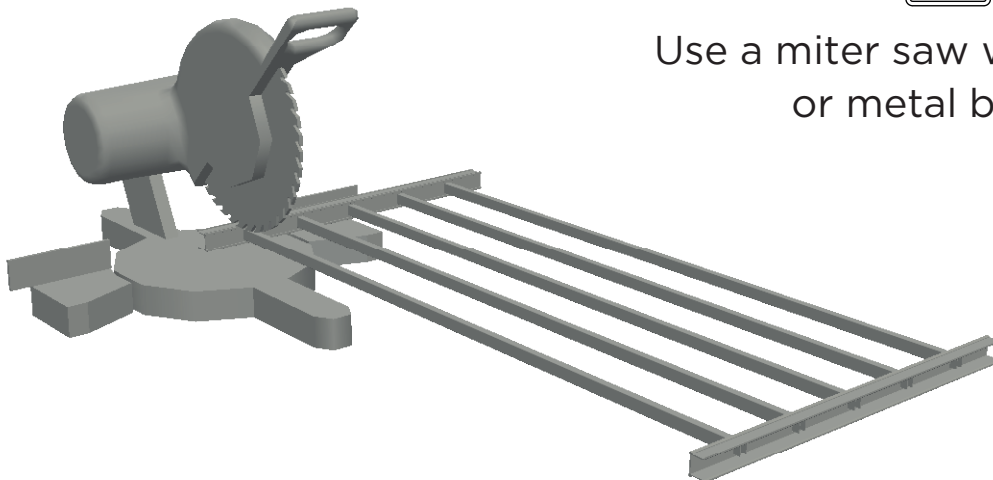
# STEP 4

---

Cut according your marks.



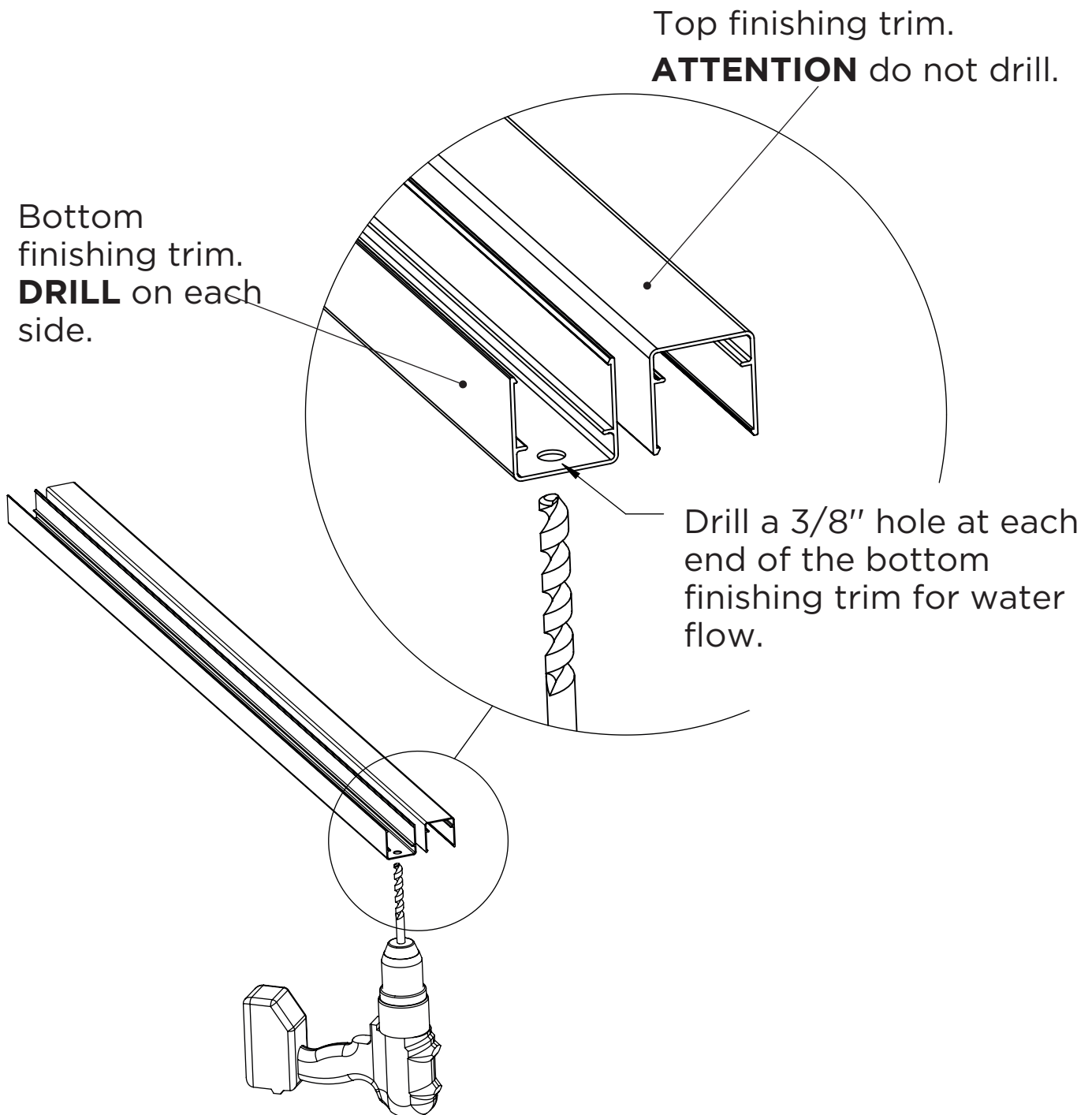
Use a miter saw with a wood or metal blade.



# STEP 5

---

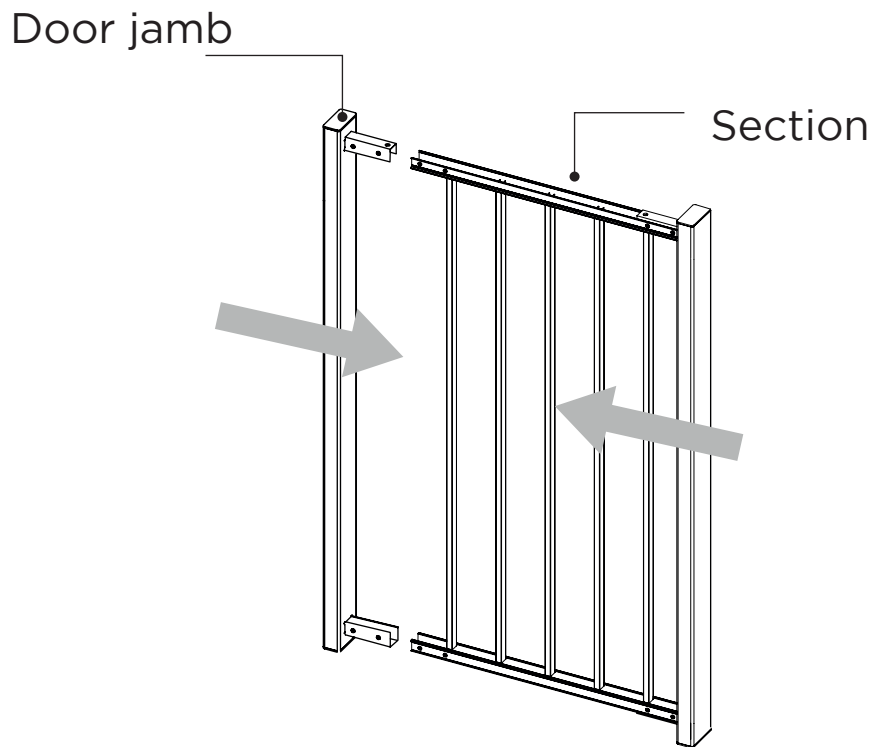
Cut the finishing trims  $1/16''$  less than your "L" measurement from step 1. This is to avoid scratching door jambs during installation.



# STEP 6

---

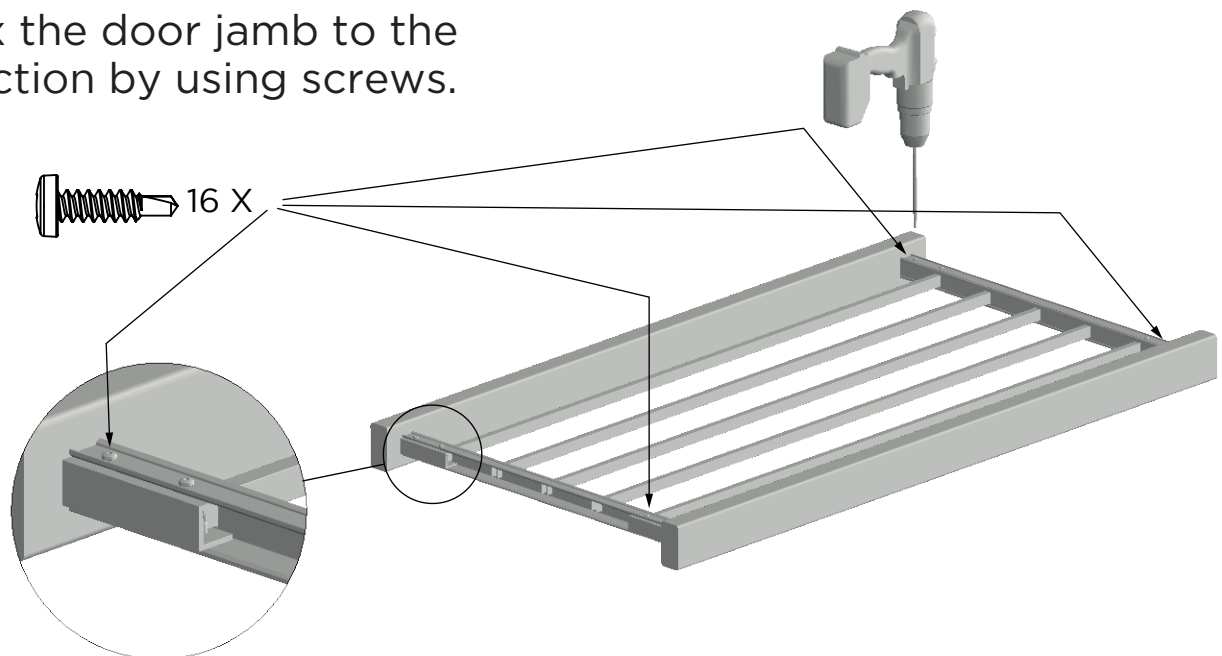
Insert jambs on each side of the section.



# STEP 7

---

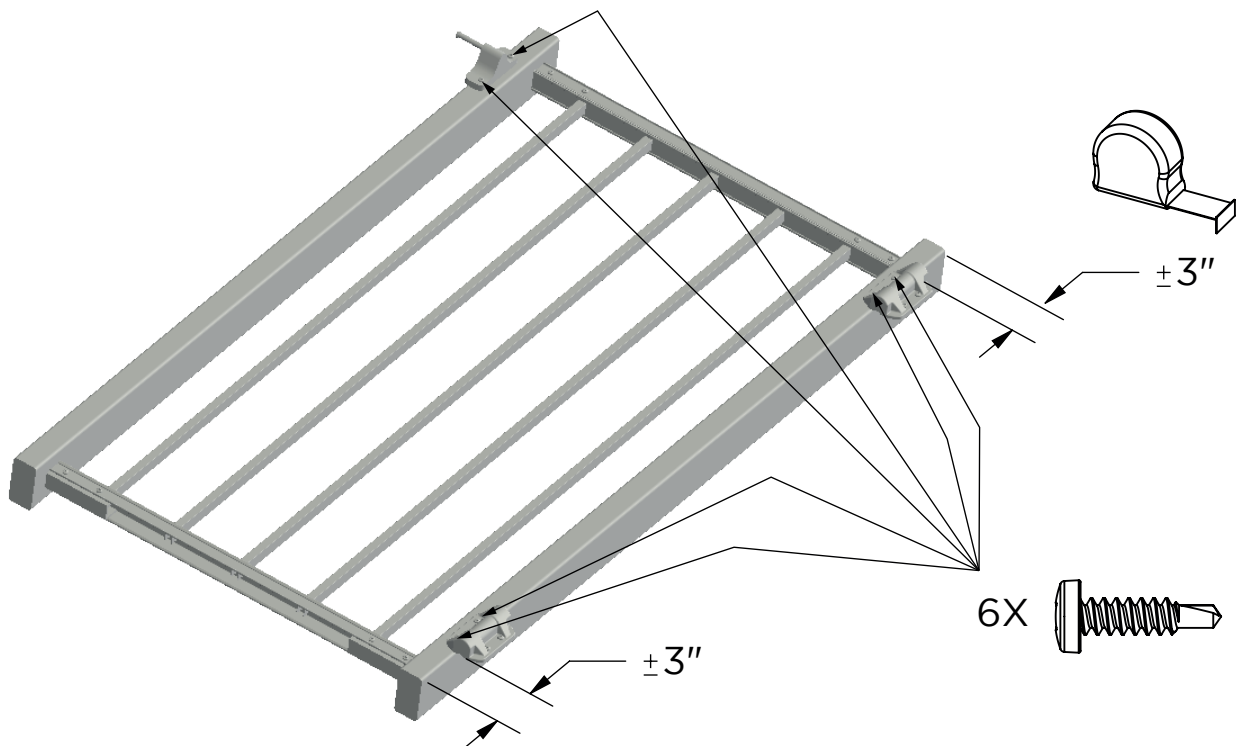
Fix the door jamb to the section by using screws.



# STEP 8

Secure the hinges to the door jamb with screws and fix the latch.

**\* BE AWARE OF THE DOOR SWING \***



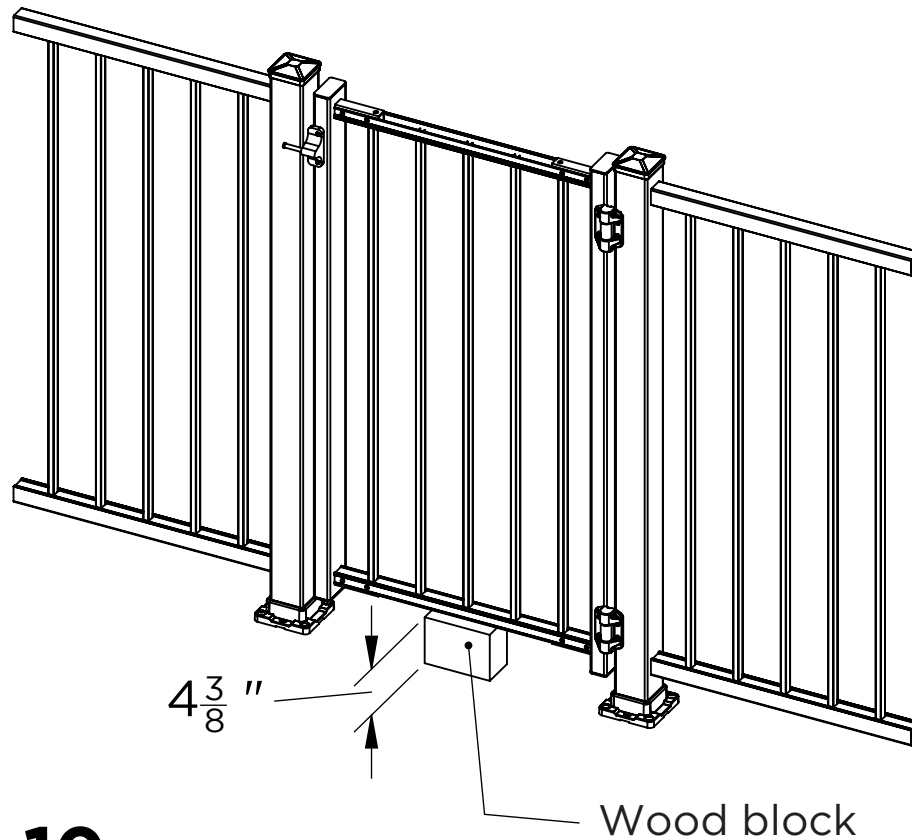
## ATTENTION

VALIDATE DOOR SWING BEFORE ATTACHING THE HINGES. IT IS POSSIBLE THAT HINGES MUST BE INSTALLED DIFFERENTLY THAN SHOWN.

# STEP 9

---

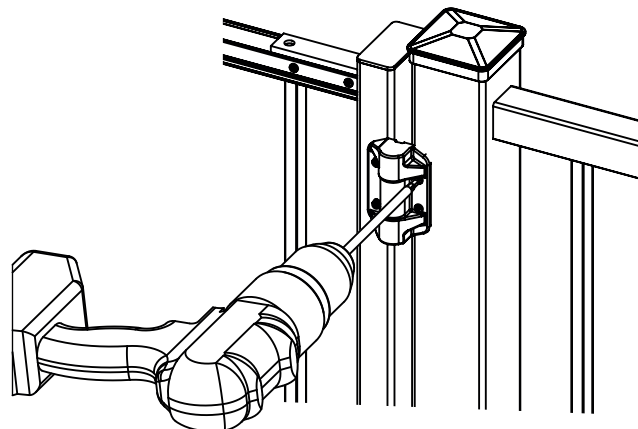
Place a wood block of 4"  $\frac{3}{8}$ " high under the unfinished jamb at the bottom of the door.



# STEP 10

---

Fasten door hinges to the posts.

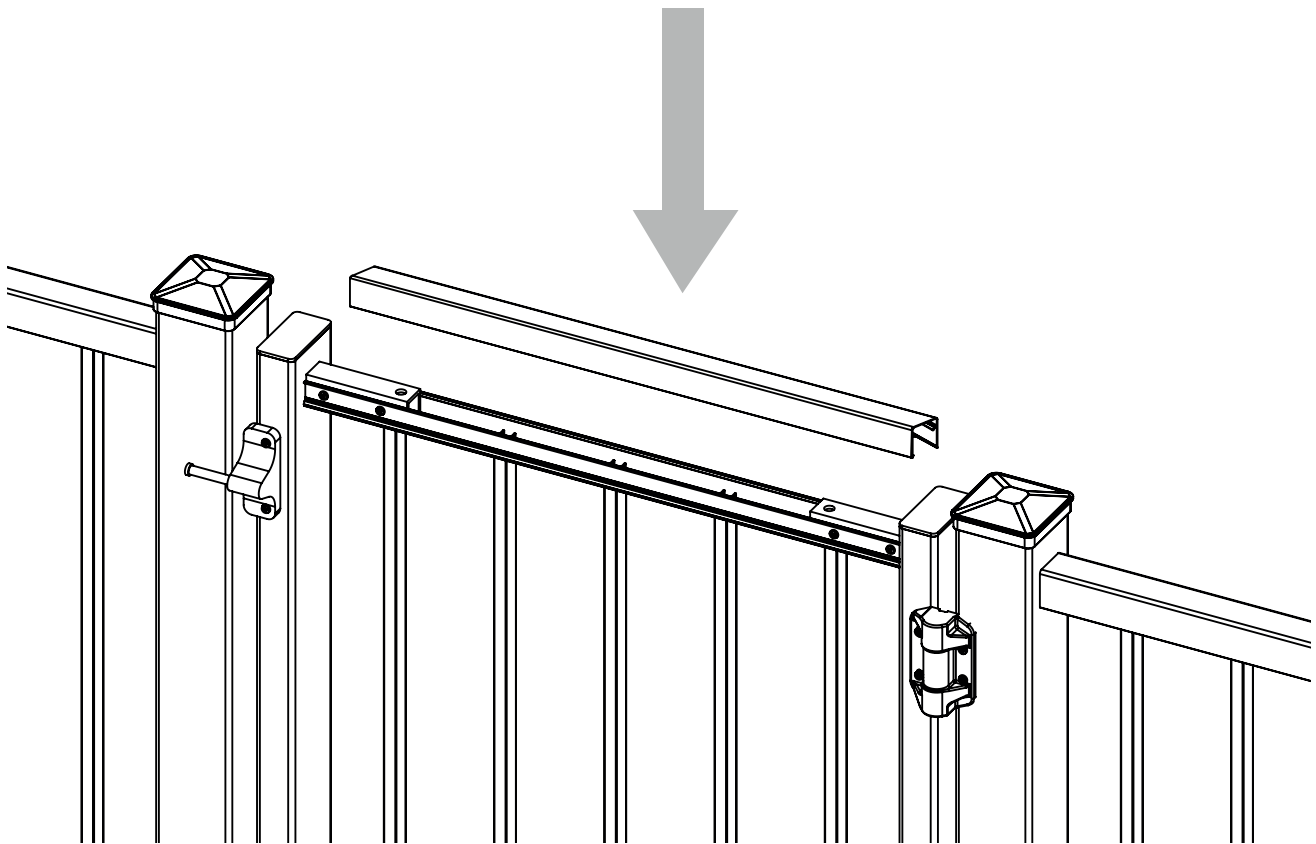


# STEP 11

---

Install the finishing trims on top and bottom of the door.

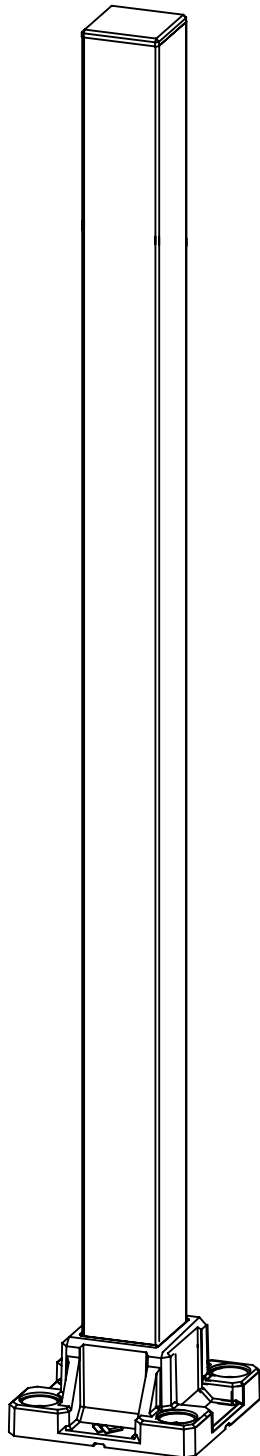
If you use wood blocks as mentioned in Step 9, distance between the ground and bottom of the railing will automatically have the regulatory measurement of 3 7/8".





# POST 1 3/4 x 1 3/4

---



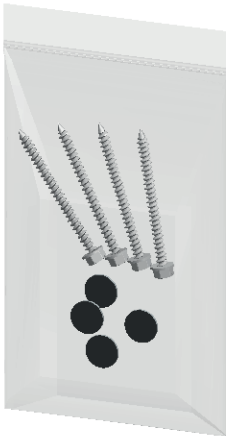
**Installation guide**

## Required tools



- Drill
- Drill bit with an hexagonal tip
- 3/8 bit
- Clear silicone

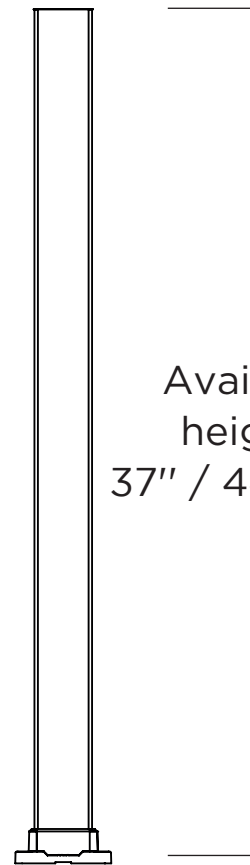
## Included hardware



### Hardware kit for posts 1 3/4" Williams Dépôt

- Screw cover - 4X
- Screw # 14- 4x

Available  
heights  
37" / 44" / 51"



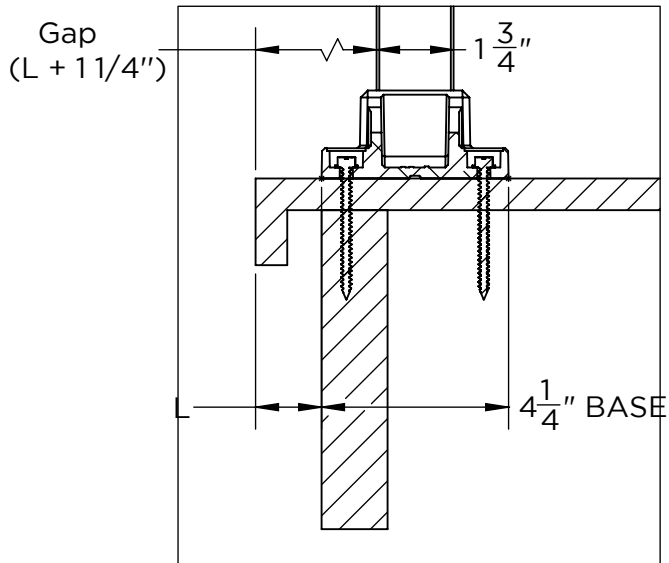
**DEKAVIE**

An Avenord Division

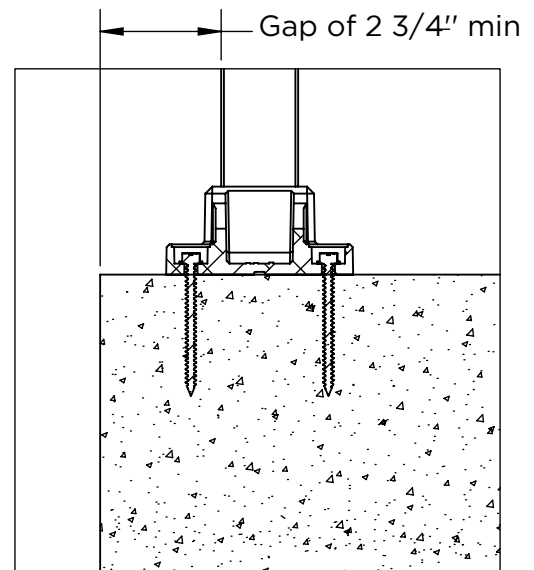
1 888 994-3130  
ventes@avenord.com

# INSTALLATION

## ON FIBERGLASS

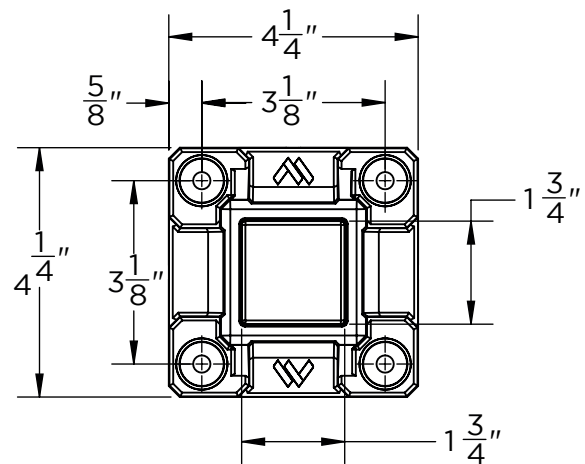
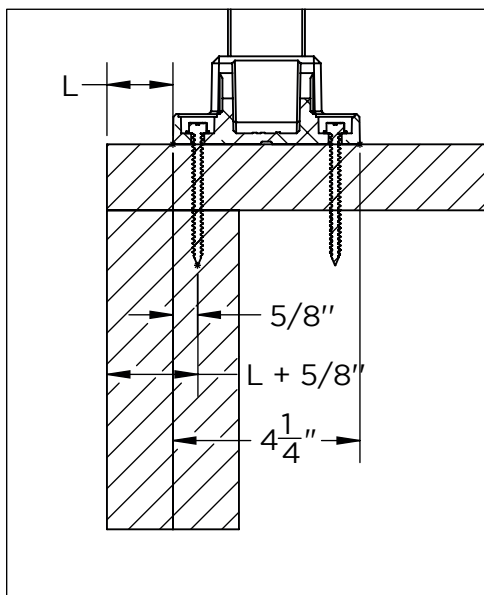


## ON CONCRETE



Make sure you have a screw bottom of 3" or more for the screws on the base. **It is strongly discouraged to fix the post only in the plank.**

## ON WOOD

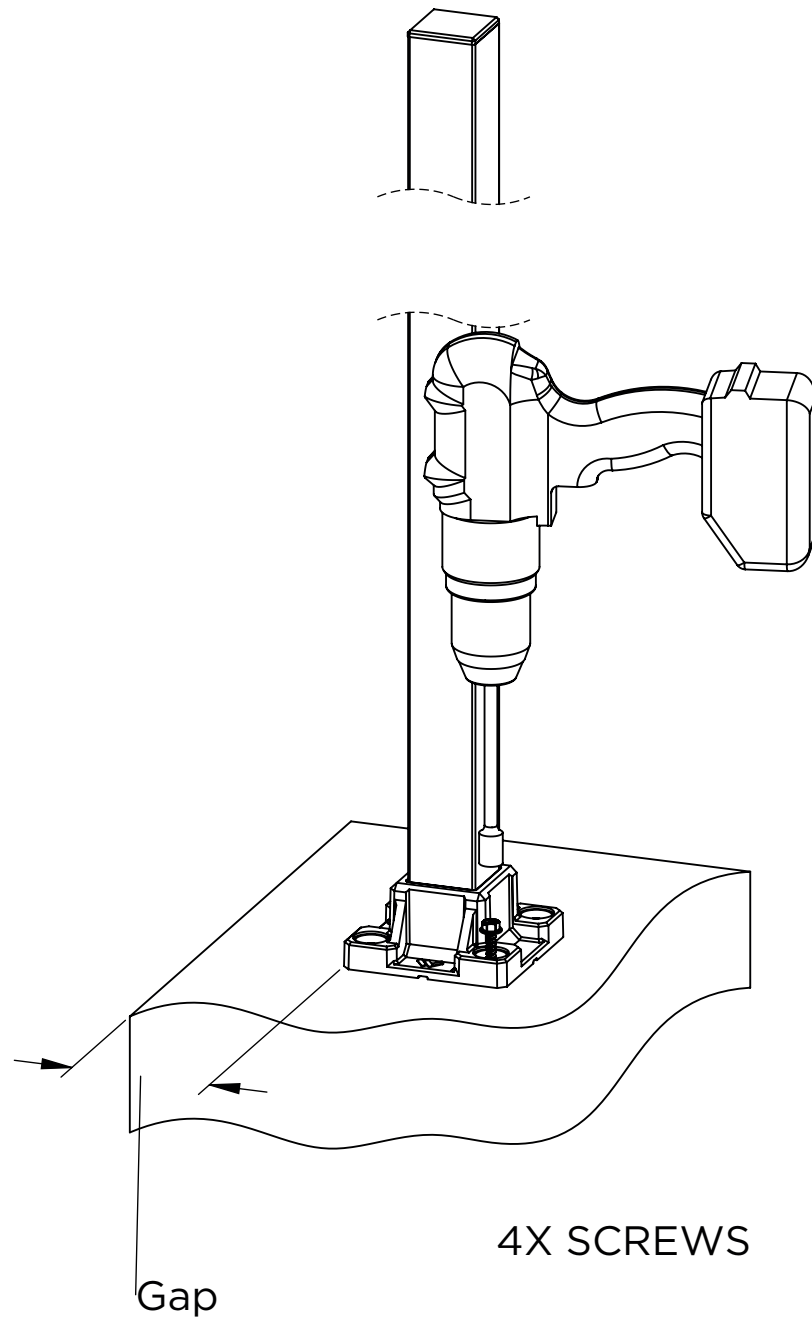


Make sure you have a screw bottom of 3" or more for the screws on the base. **It is strongly discouraged to fix the post only in the plank.**

# STEP 1

---

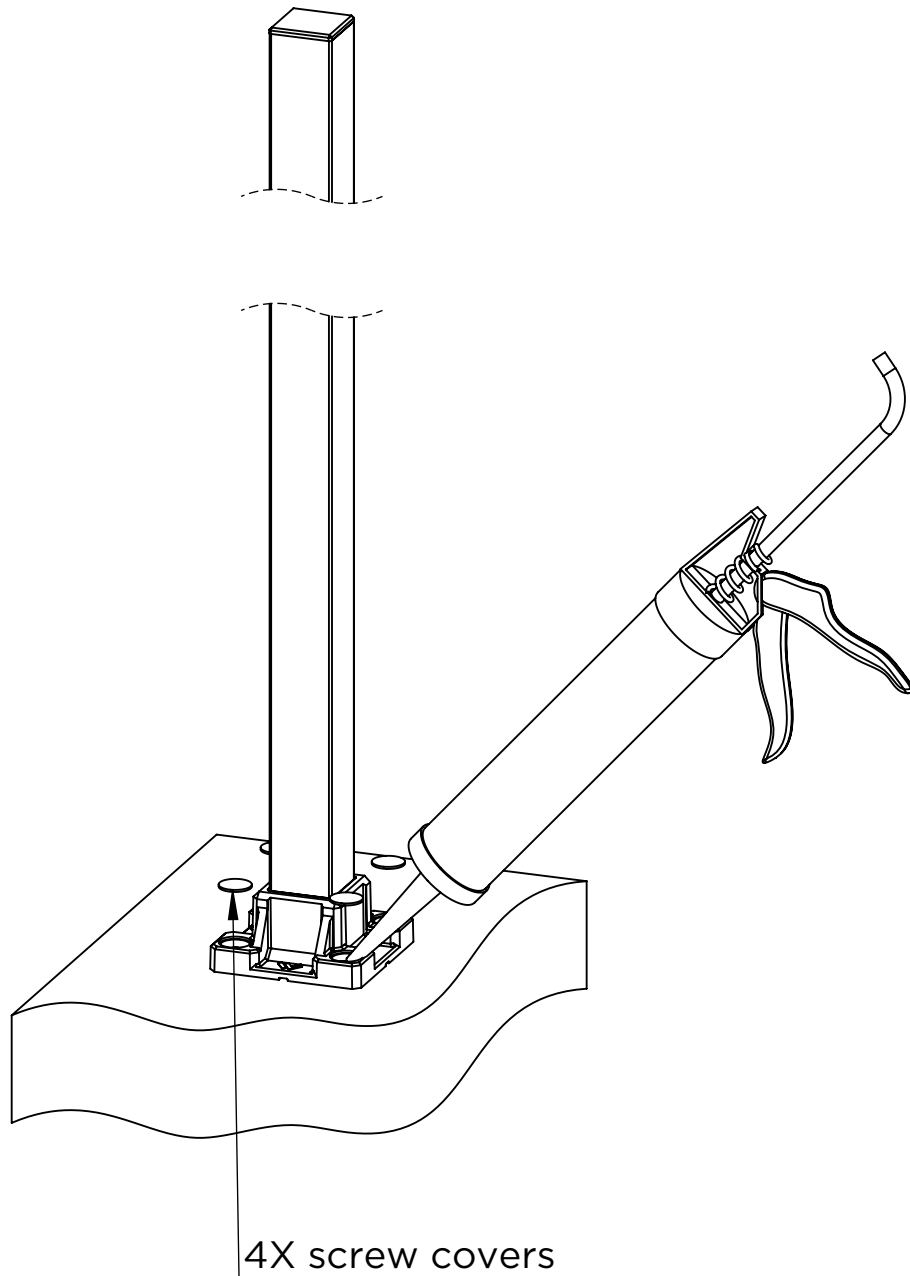
Use an electric drill and its bit to fix the post in the ground with screws.



# STEP 2

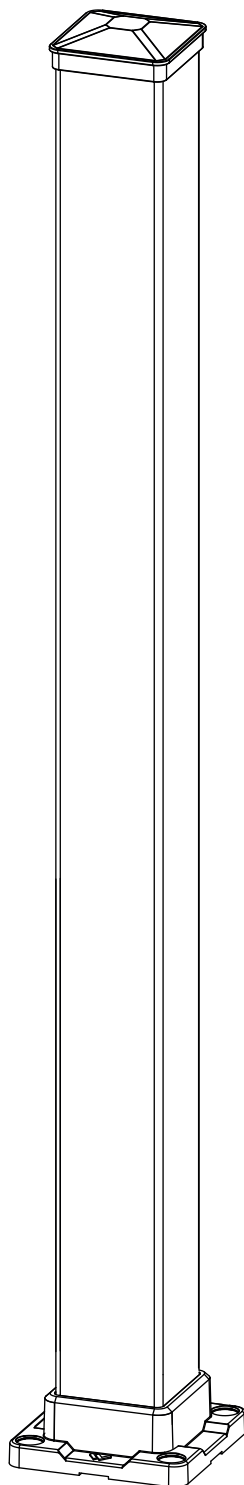
---

Fill the screw holes in the base of the post with clear silicone to glue the screw covers.



# POST 3 x 3

---



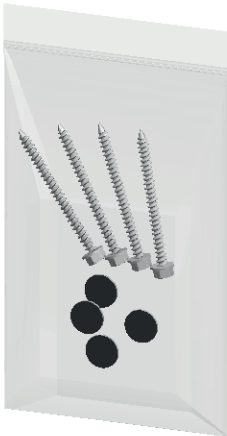
**Installation guide**

## Required tools



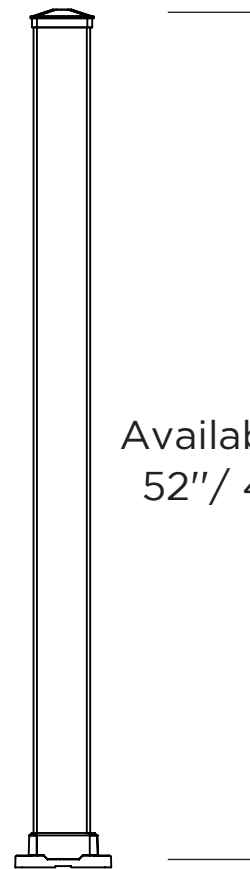
- Drill
- Drill bit with an hexagonal tip
- 3/8 bit
- Clear silicone

## Included hardware



### Hardware kit for posts 3" Williams Dépôt

- Screw covers - 4X
- Screws # 14- 4x



Available hights  
52" / 45" / 38"



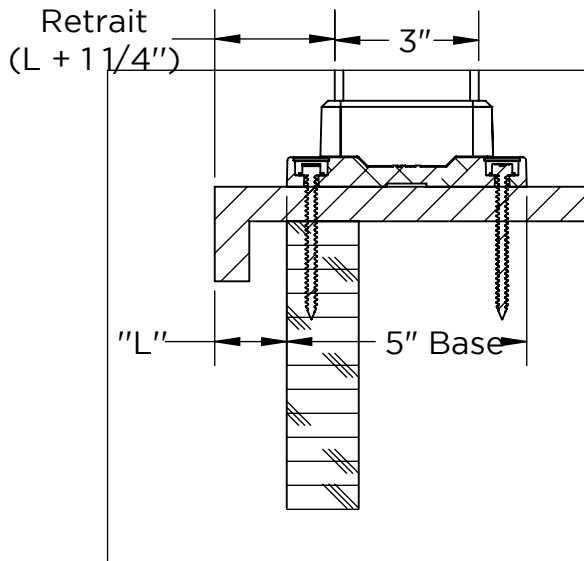
**DEKAVIE**

An Avenord Division

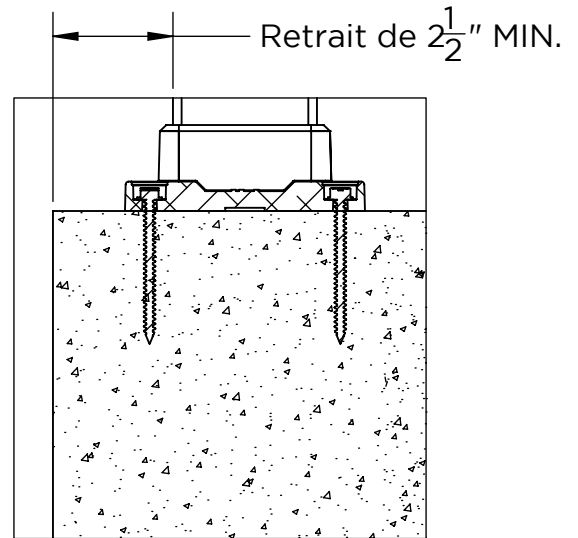
1 888 994-3130  
ventes@avenord.com

# INSTALLATION

## ON FIBERGLASS

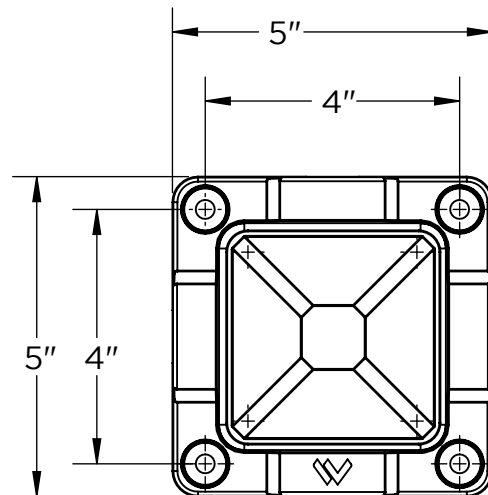
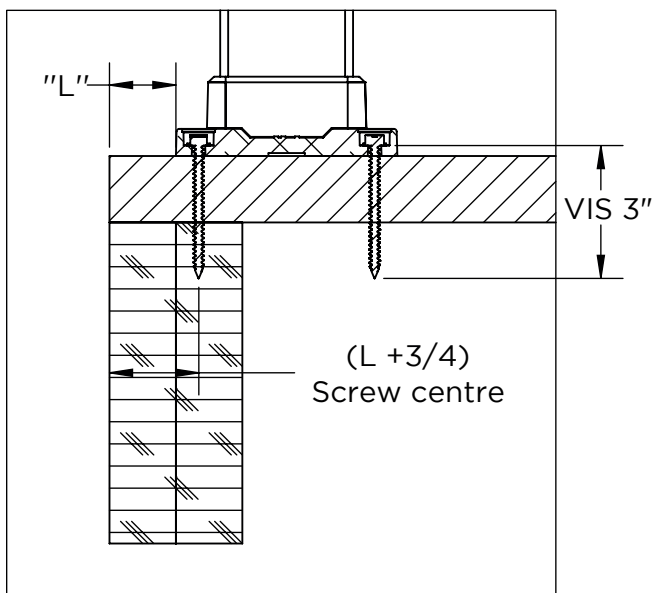


## ON CONCRETE



Make sure you have a screw bottom of 3" or more for the screws on the base.  
**It is strongly discouraged to fix the post only in the plank.**

## ON WOOD



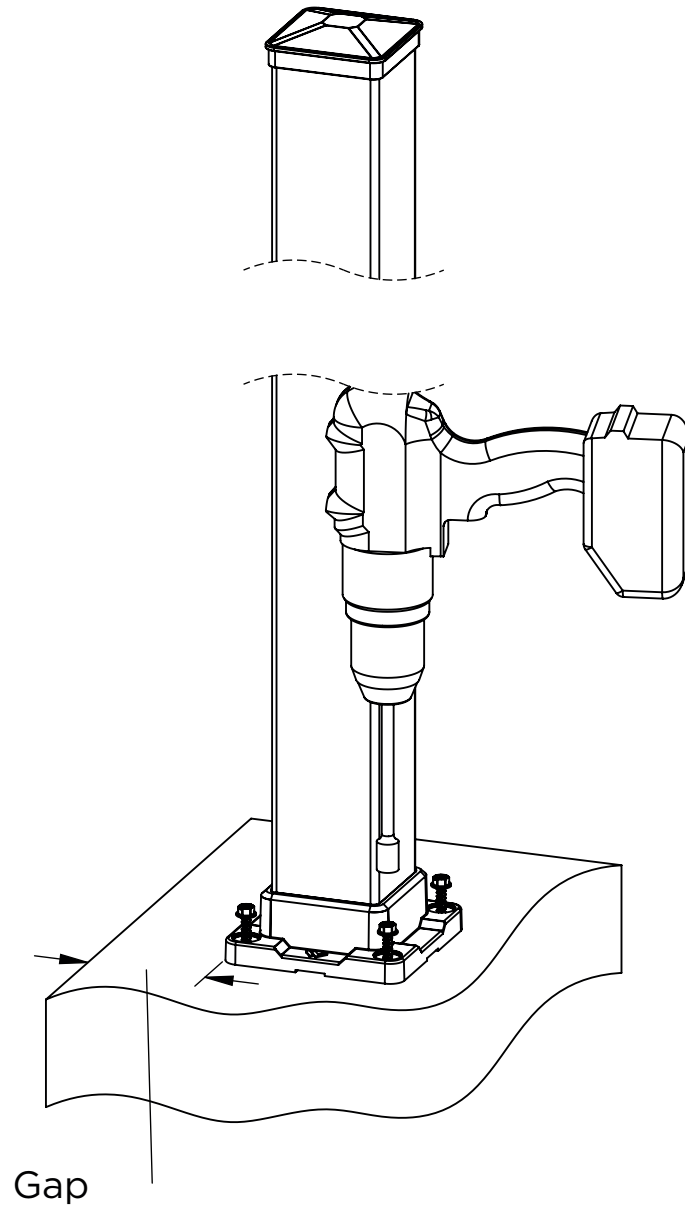
Make sure you have a screw bottom of 3" or more for the screws on the base.  
**It is strongly discouraged to fix the post only in the plank.**



# STEP 1

---

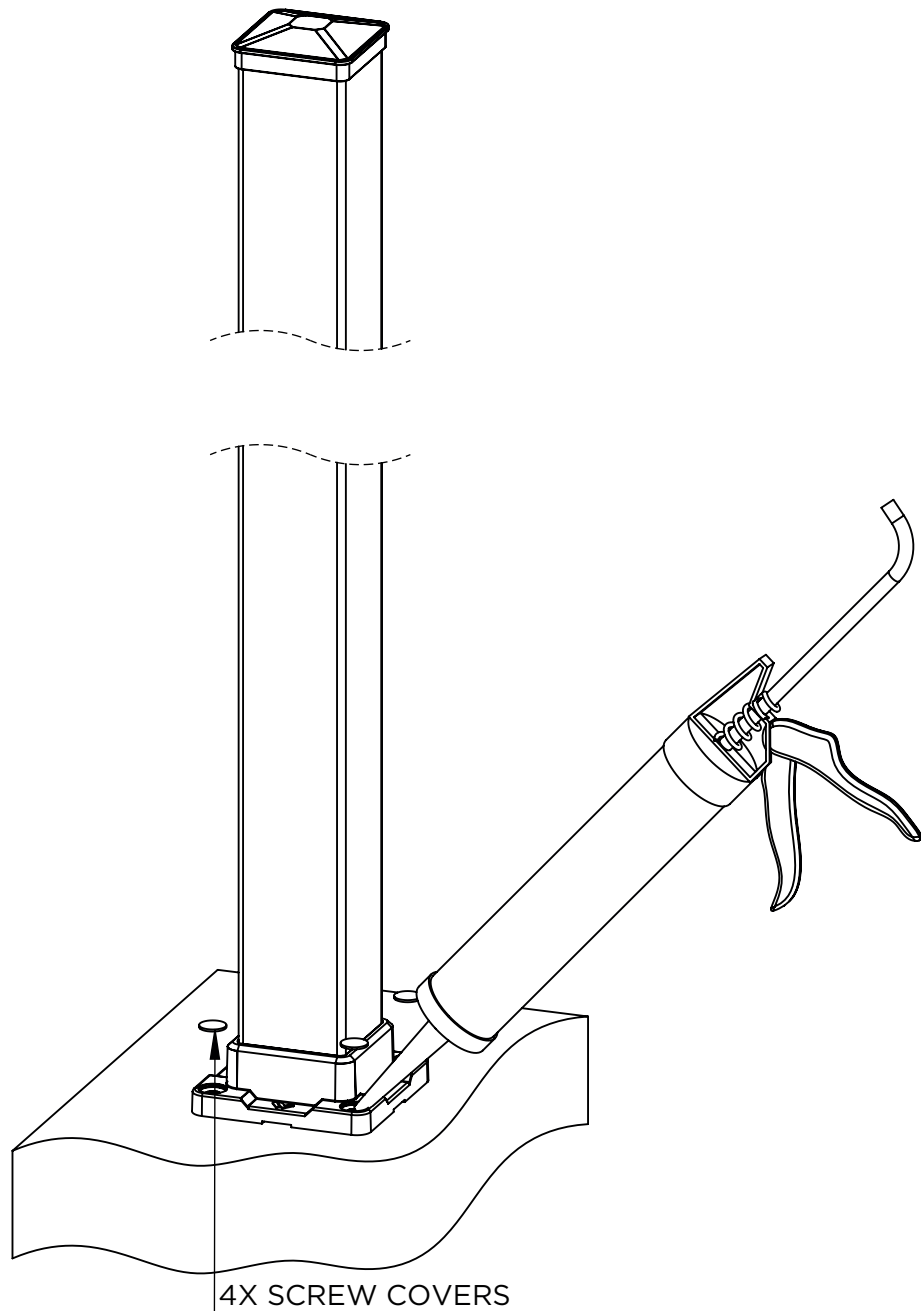
Use an electric drill and its bit to fix the post in the ground with screws.



# STEP 2

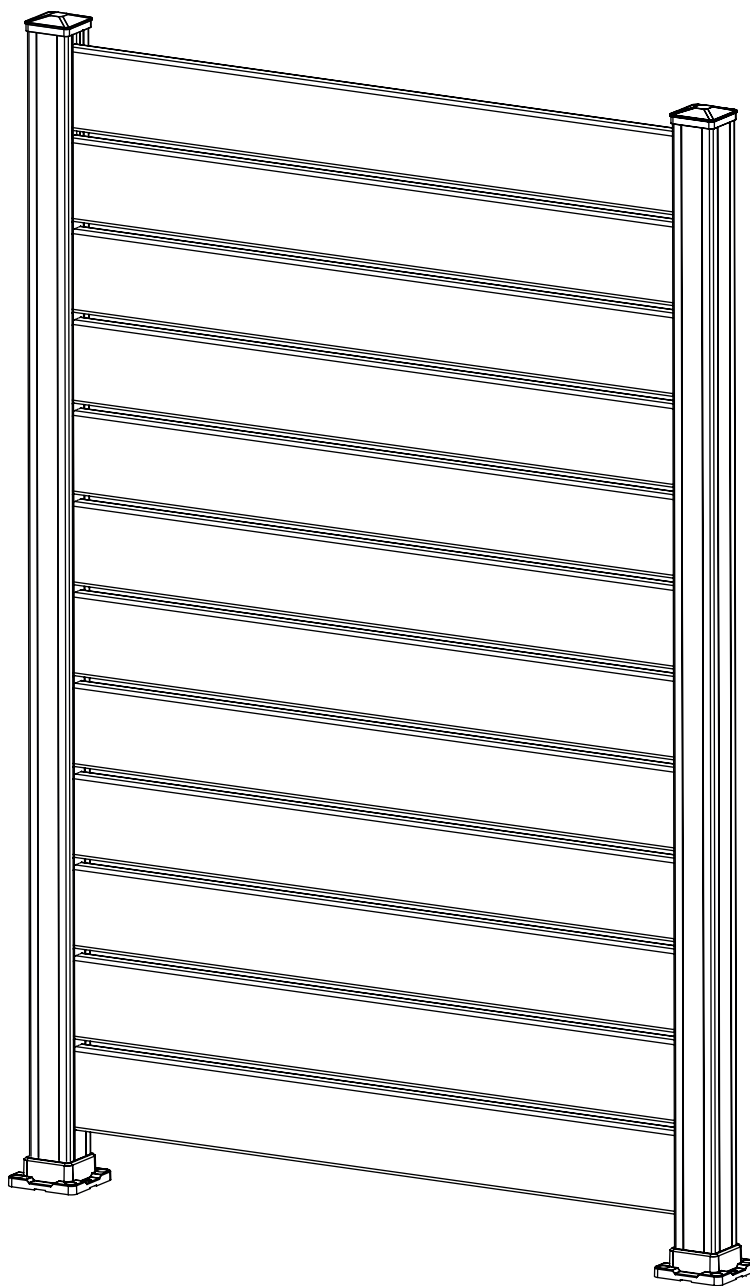
---

Use an electric drill and its bit to fix the post in the ground with screws.



# VERSA POST

---



**Installation Guide**



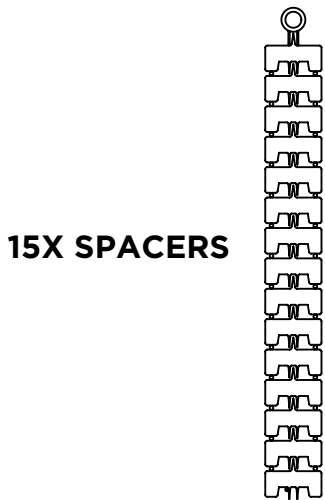
Dekavie Partner

## Required tools

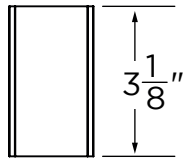


- Drill
- Drill bit with an hexagonal tips
- 3/8 bit
- Clear silicone
- Hammer

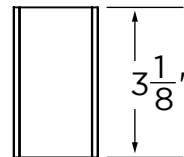
## Included hardware



1X TOP SPACER



1X BOTTOM SPACER



### Hardware kit for Williams Depot 3'' Versa post

- 15X spacers
- 1X  $3\frac{1}{8}''$  bottom spacer
- 1X  $3\frac{1}{8}''$  top spacer

### Hardware kit for Williams Depot 3'' Versa post

- Screw covers - 4X
- Screws # 14- 4x



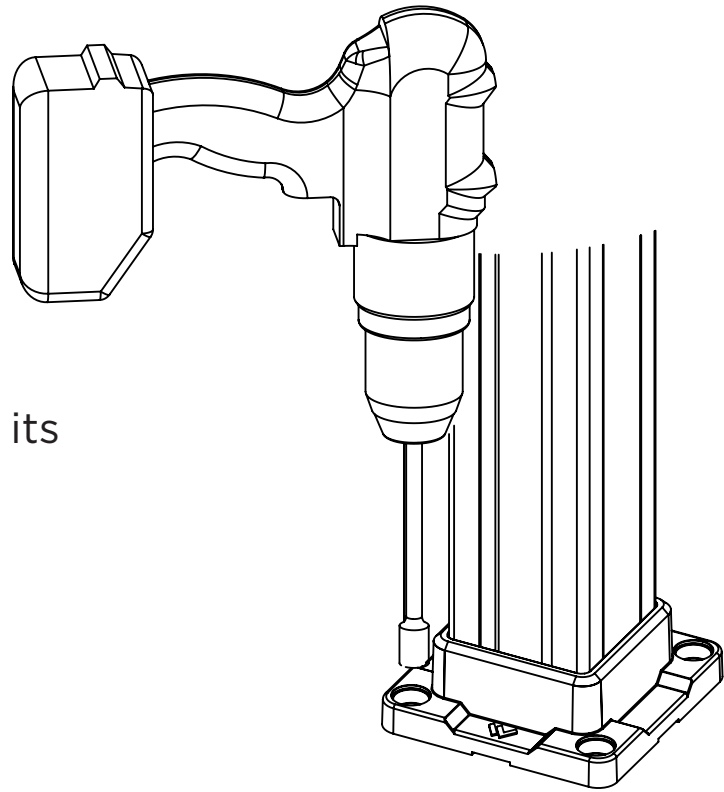
**DEKAVIE**

An Avenord Division

1 888 994-3130  
ventes@avenord.com

# STEP 1

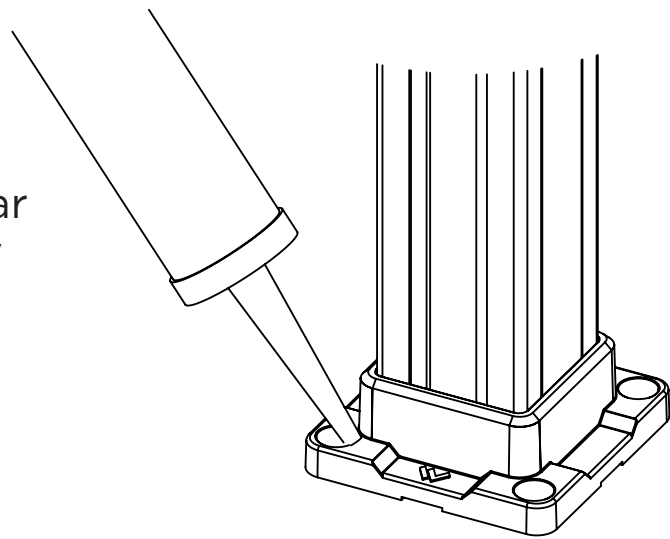
---



Use an electric drill and its bit to fix the post in the ground with screws.

# STEP 2

---



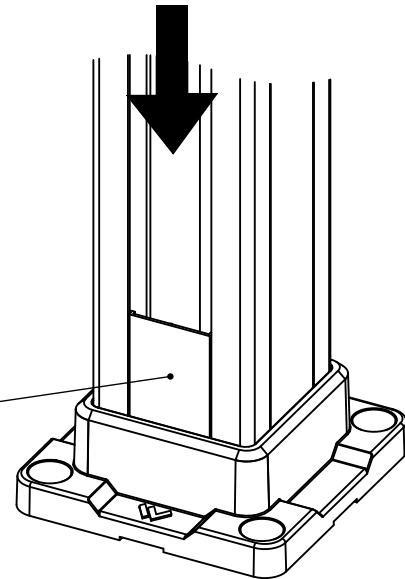
Fill the screw holes in the base of the post with clear silicone to glue the screw covers.

## STEP 3

---

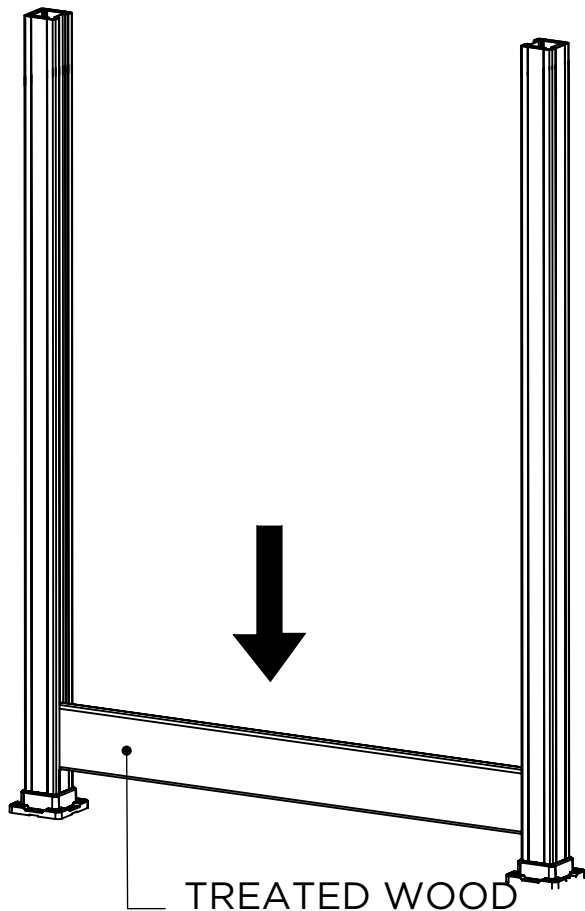
Slide the bottom spacer to the bottom of the post.

BOTTOM SPACER



## STEP 4

---

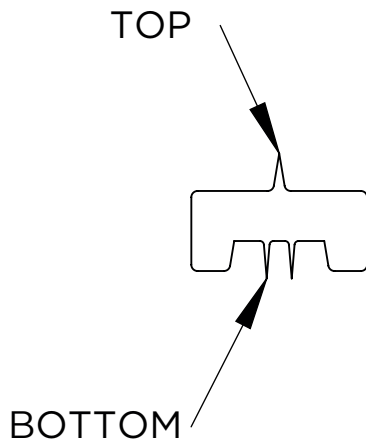


Slide the first board all the way down so that it is in contact with the bottom spacer.

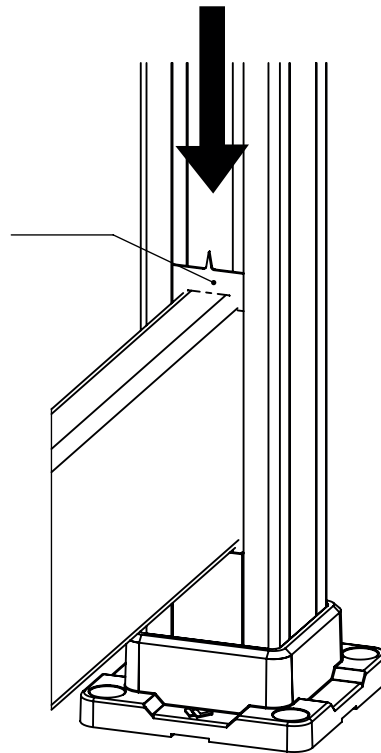
# STEP 5

---

Slide the spacer through the grooves until it is in contact with the board.



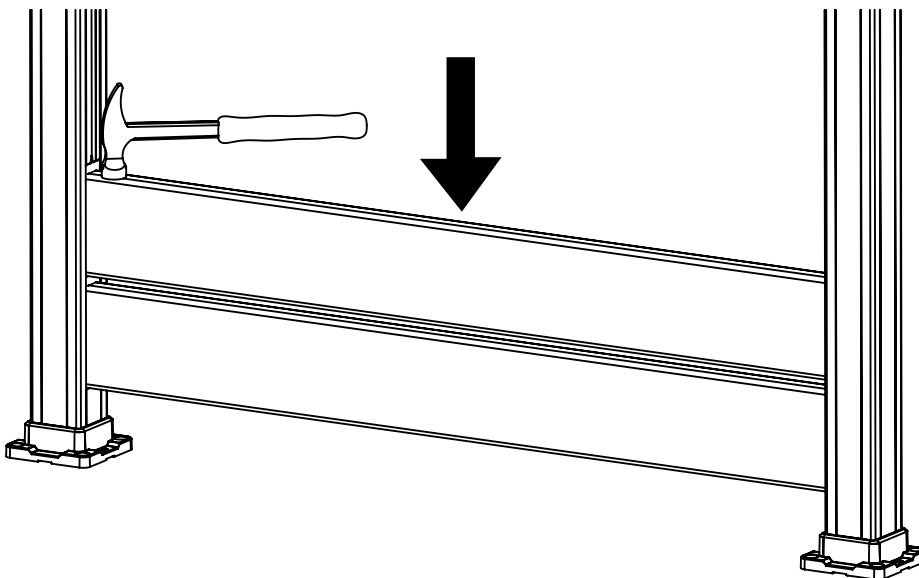
SPACER



# STEP 6

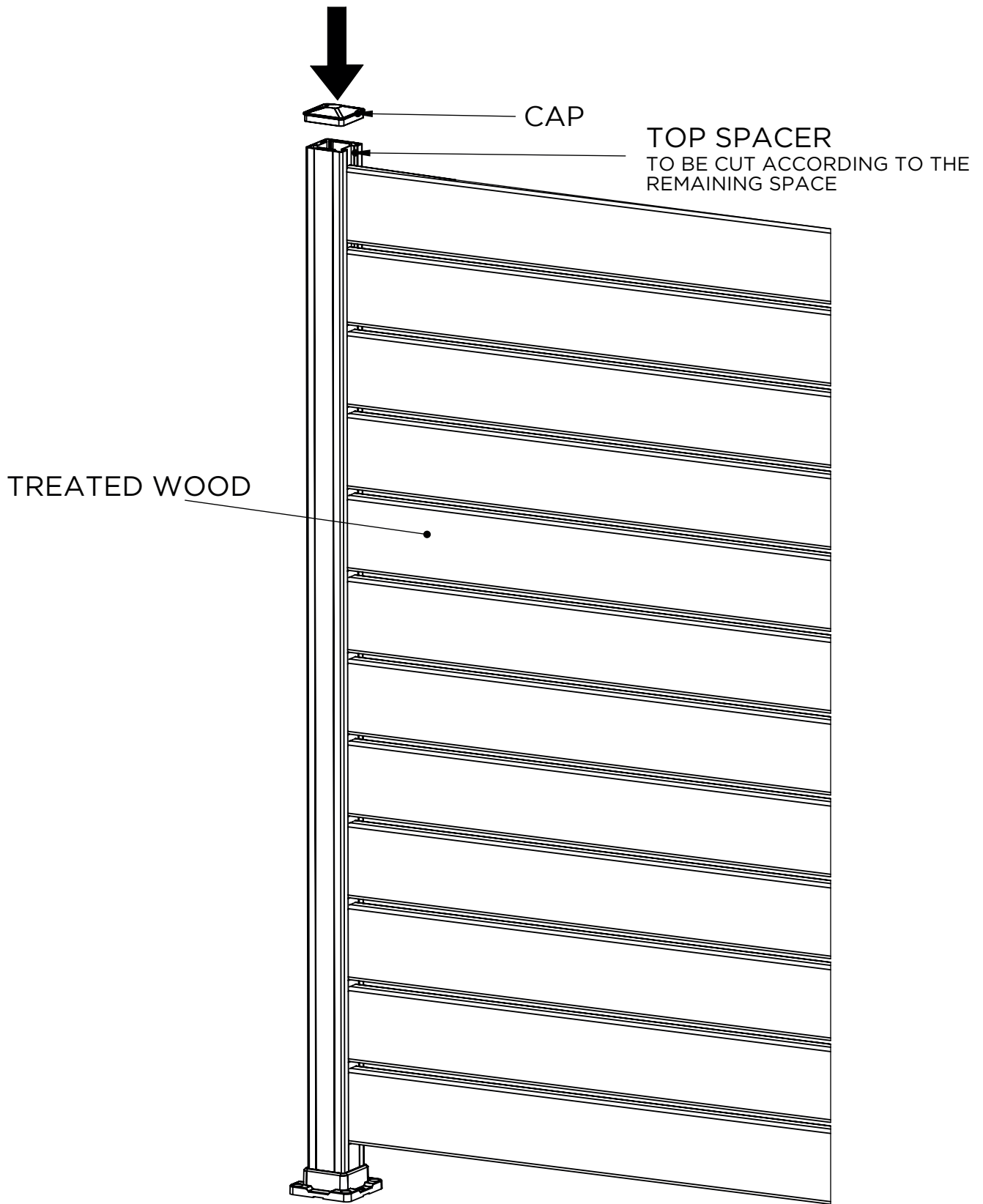
---

Slide the second board into the grooves. Once in place, tap the top of the board with a hammer to secure it in place. Repeat steps 5 and 6.



# STEP 7

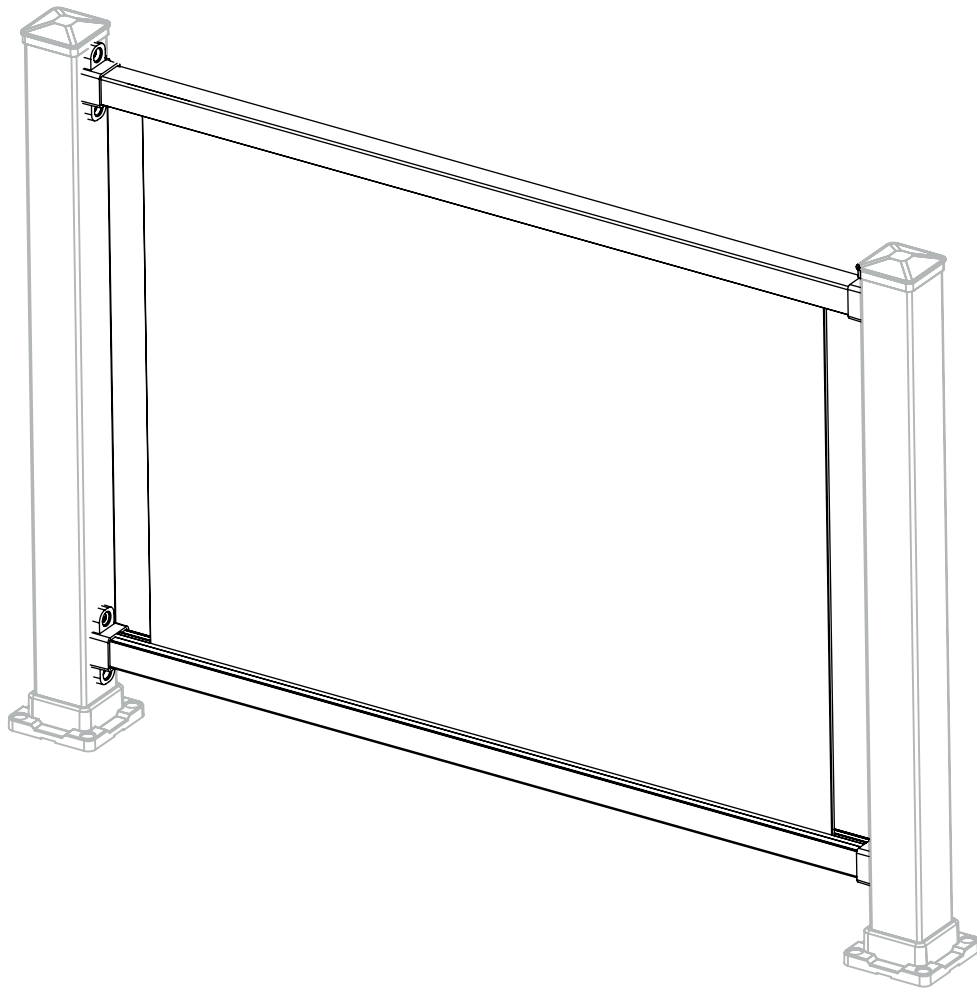
---





# ADJUSTABLE RAILING

---



**installation Guide**

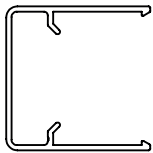
## Required tools



- Drill
- Drill Square Bit
- Bit of 3/8
- Measure Tape
- Miter Saw, wood or metal blade
- Sharpie Pencil

## Included hardware

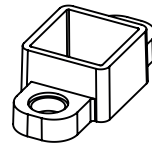
---



**X 2  
CAP TRIMS**



**X 8  
SCREWS**



**X 4  
ADAPTORS**

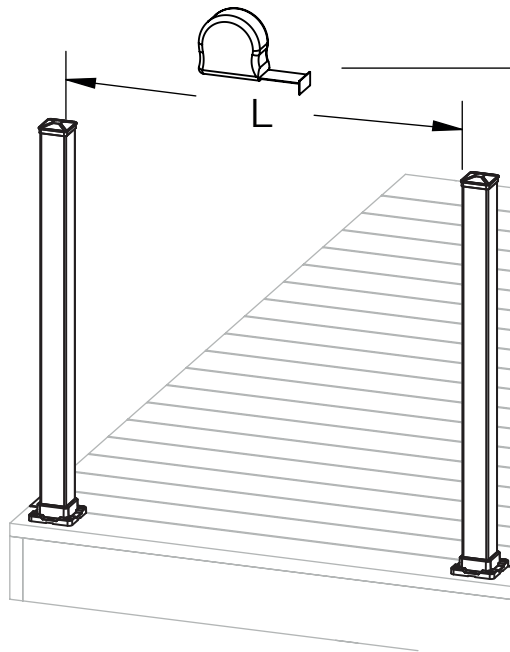


**X 8  
SCREW  
CAPS**



1 888 994-3130  
ventes@avenord.ca

# STEP 1



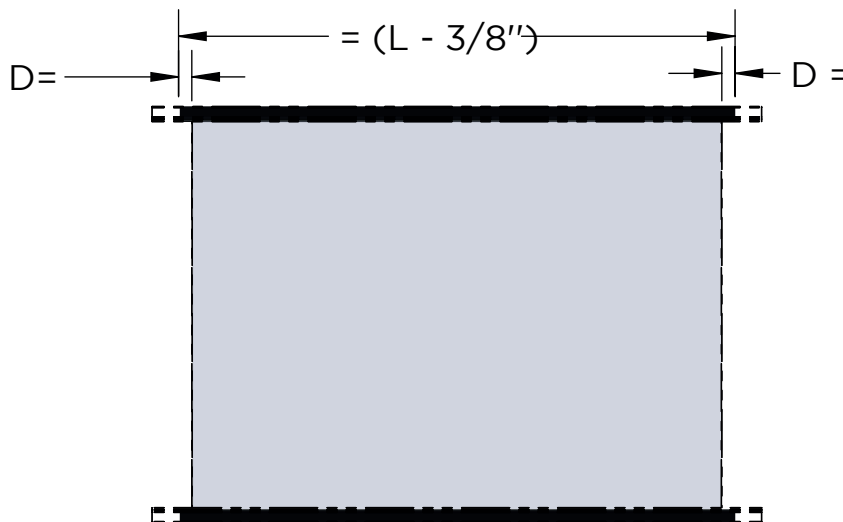
Measure "L"  
distance  
between  
posts\*.

Write your measure here:

⚠ \_\_\_\_\_

# STEP 2

Use measure from step 1 to mark cutting distance.  
Cutting distance is =  $(L - 3/8")$   
Make sure the measure "D" is equal on each side.



Step 1 measure 1

⚠ \_\_\_\_\_

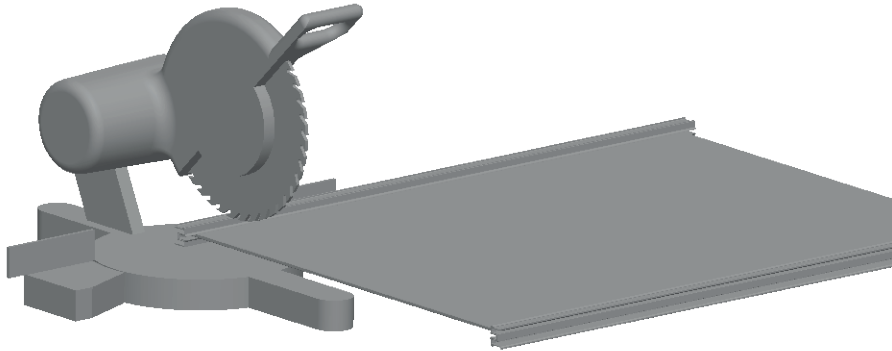
- 3/8" =

\_\_\_\_\_

# STEP 3

---

Cut according your marks

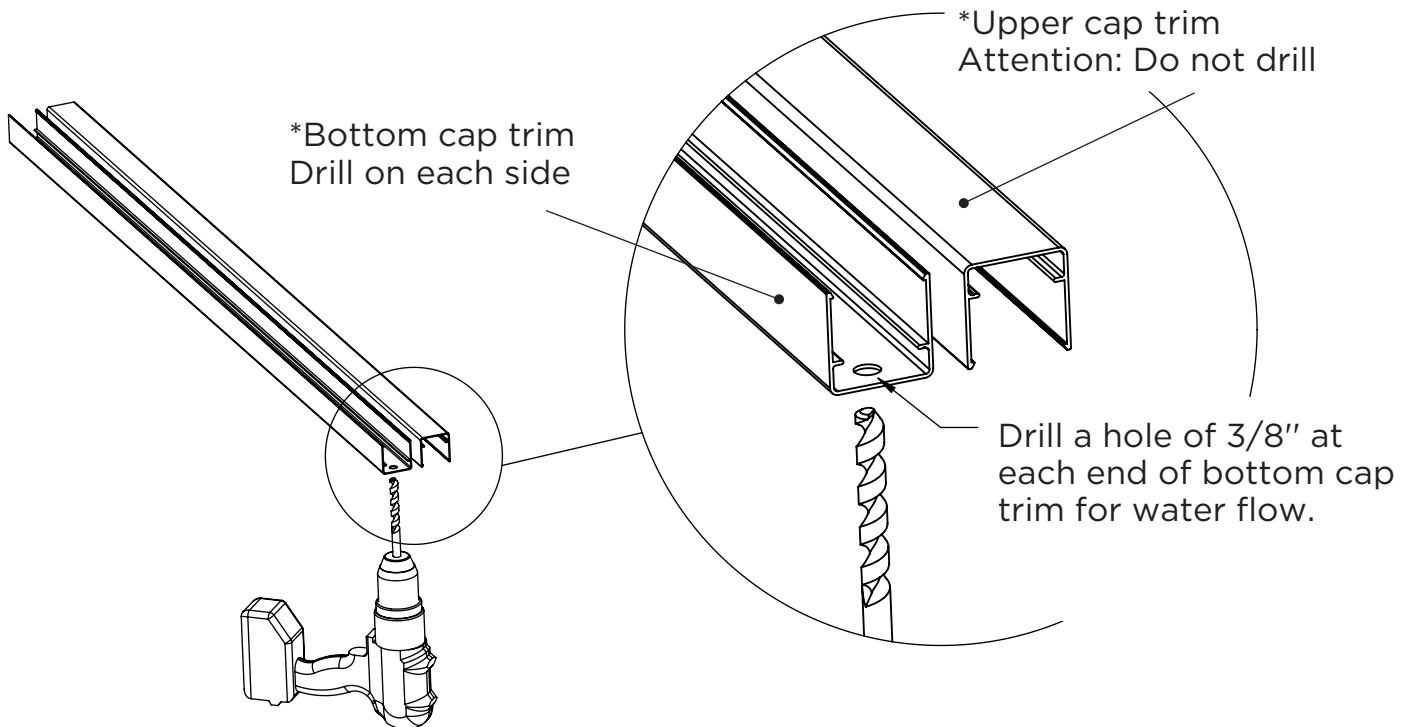


Use a miter saw with a wood or metal blade

# STEP 4

---

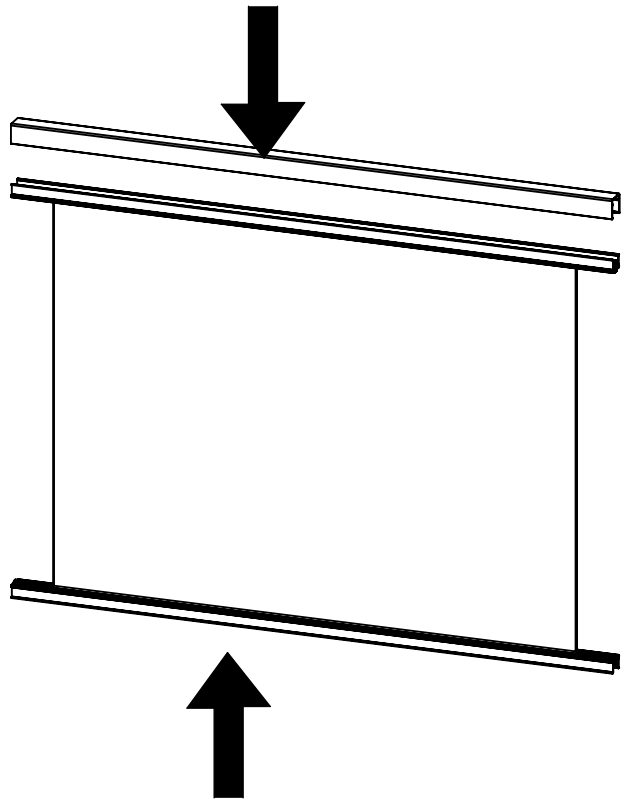
Cut cap trim 1/16" less than your L measure in STEP 1. This will prevent to scratch the post during installation.



# STEP 5

---

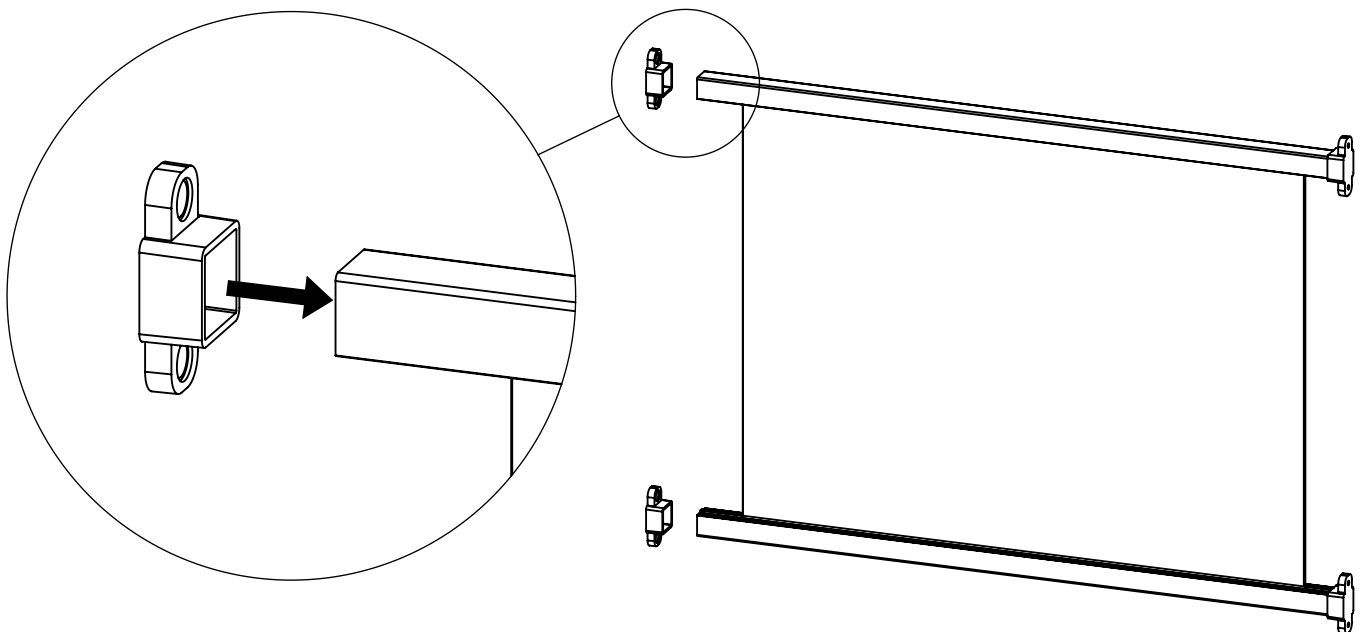
Insert cap trims on top and bottom of the section.



# STEP 6

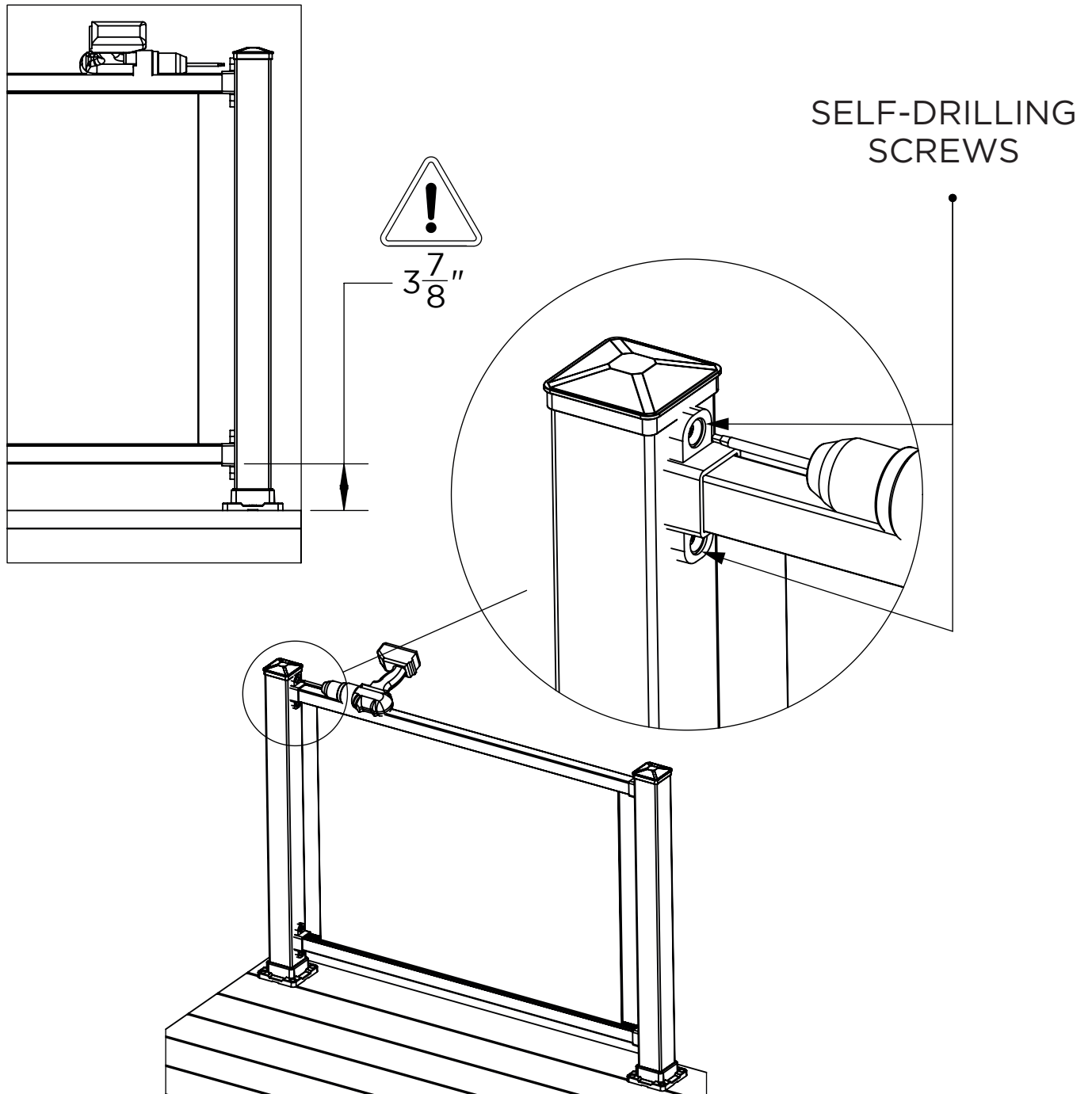
---

Insert adaptators on each side, at the top and bottom of railing.



# STEP 7

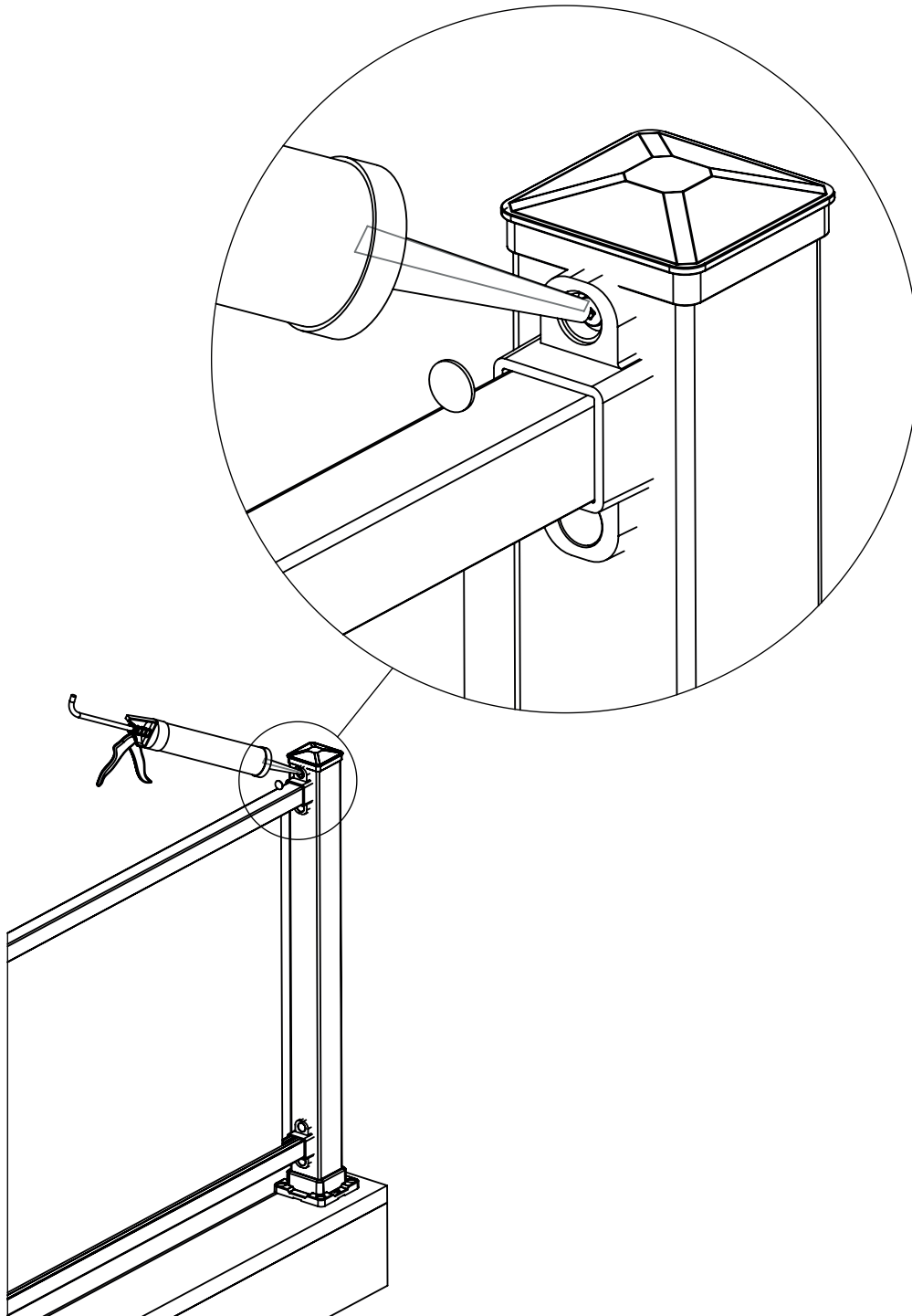
Position the railing at a height of  $3 \frac{7}{8}$ " from the ground. Attach railing to the post with self-drilling screws.



# STEP 8

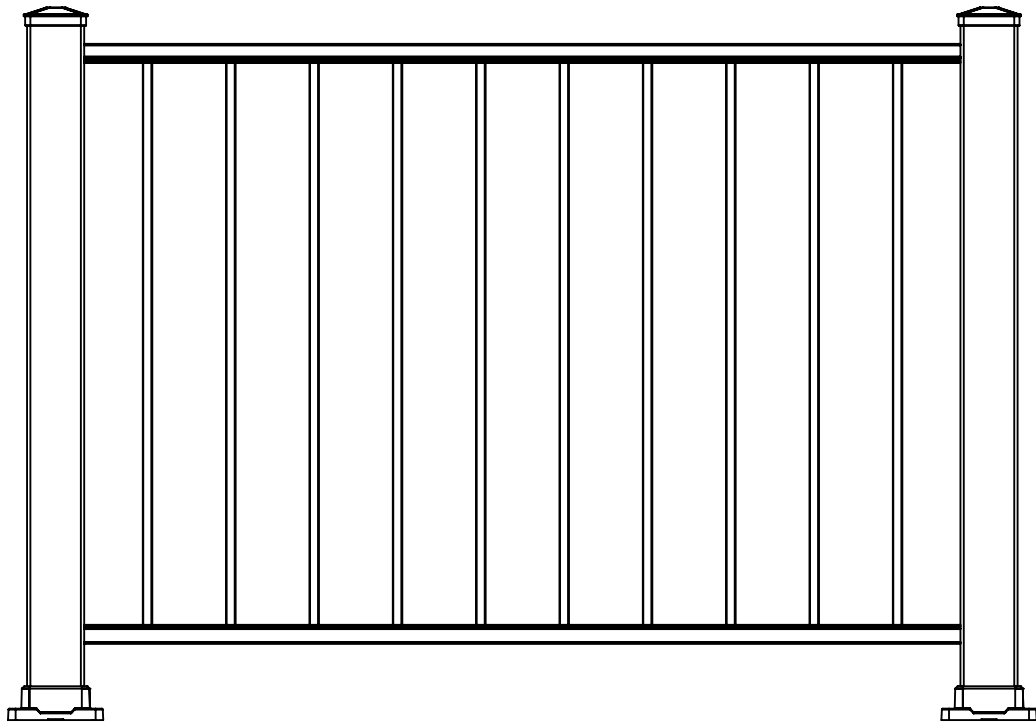
---

Use transparent silicone to hide screw caps.



# MODERN 5

---





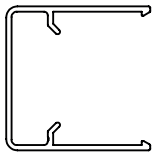
## Required tools



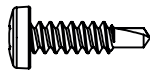
- Drill
- Drill Square Bit Set
- Bit of +/- 3/8
- Tape Measure
- Miter Saw, wood or metal blade

## Included hardware

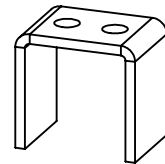
---



**X 2**  
**CAP TRIM**



**X 16**  
**SCREW**



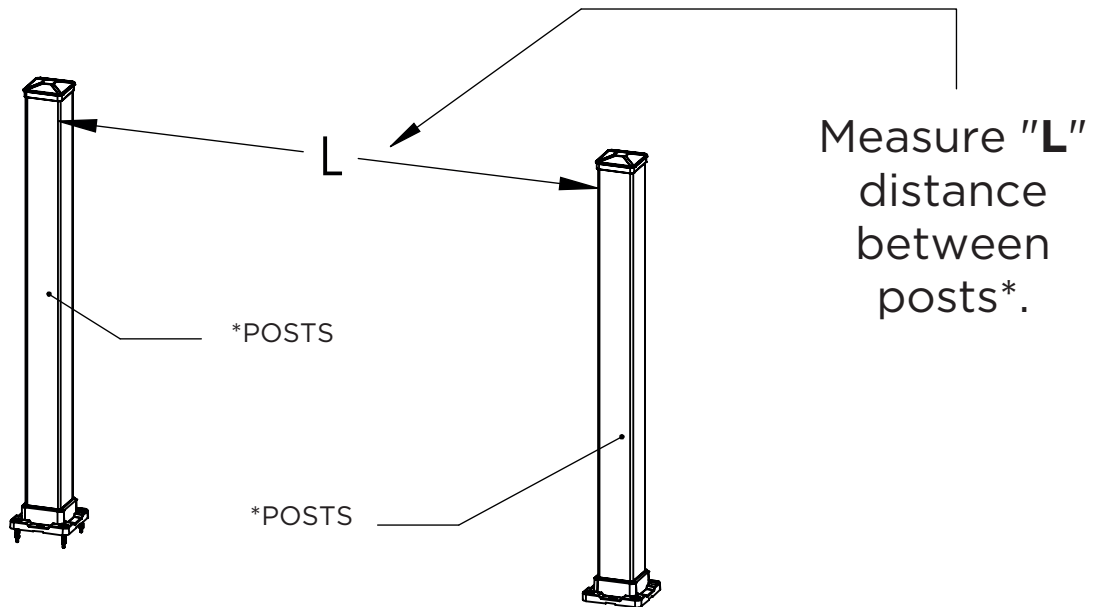
**X 4**  
**SPACER**



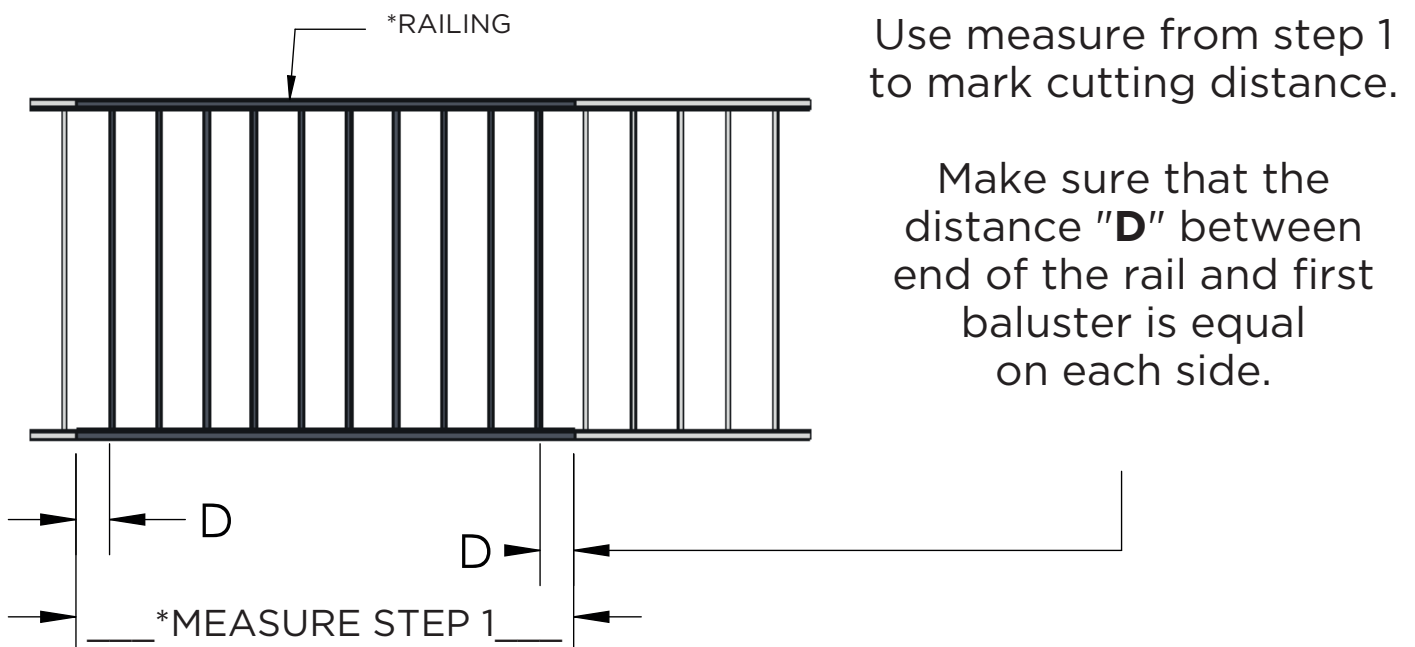
1 888 994-3130  
ventes@avenord.ca

# STEP 1

\*POSTS SOLD SEPARATELY



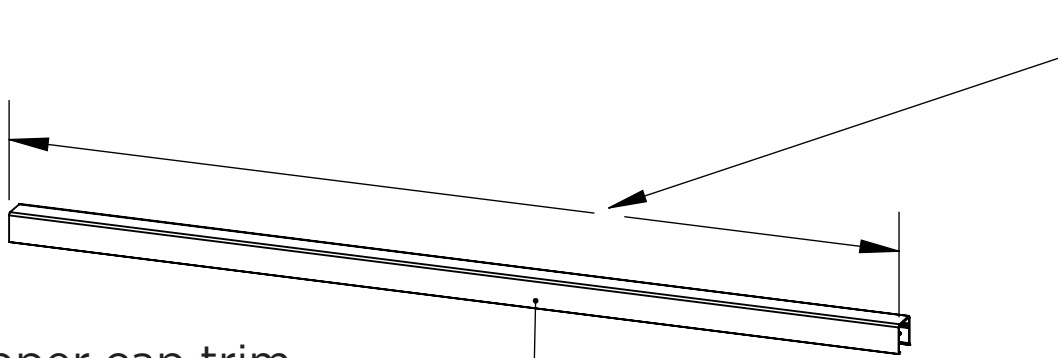
# STEP 2



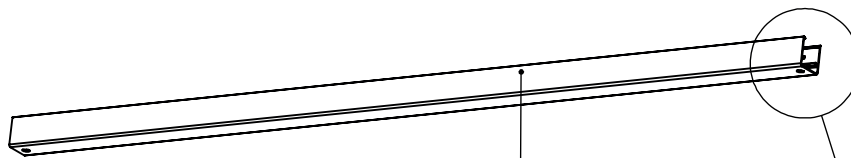
# STEP 3

---

Cut cap trim 1/16" less than your L measure in STEP 1. This will prevent to scratch the post during installation.

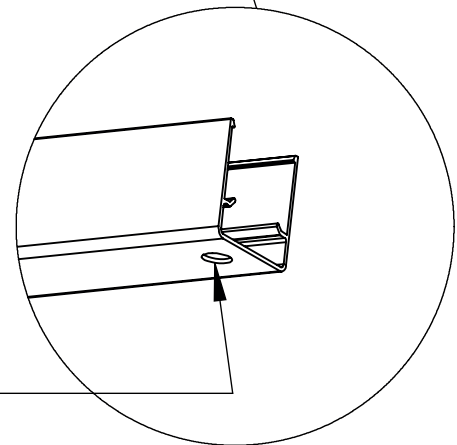


\*Upper cap trim  
Attention: Do not drill



\*Bottom cap trim  
Drill on each side

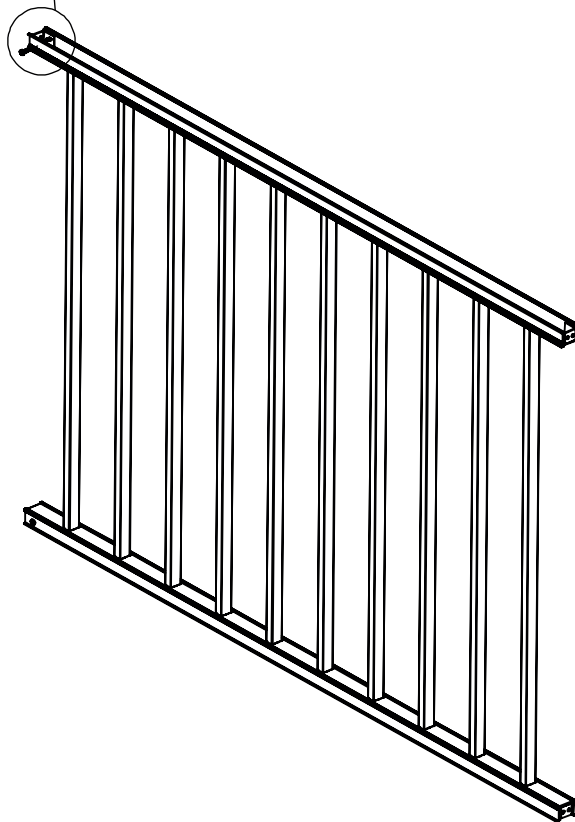
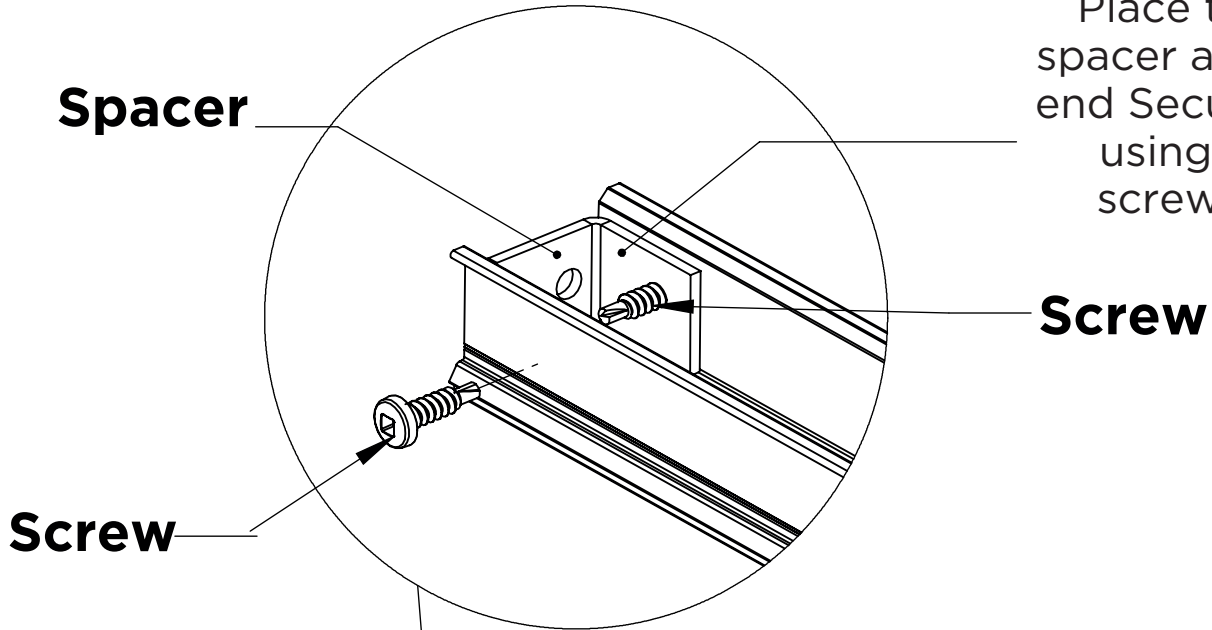
Drill a hole of 3/8" minimum at each end of bottom cap trip for water flow



# STEP 4

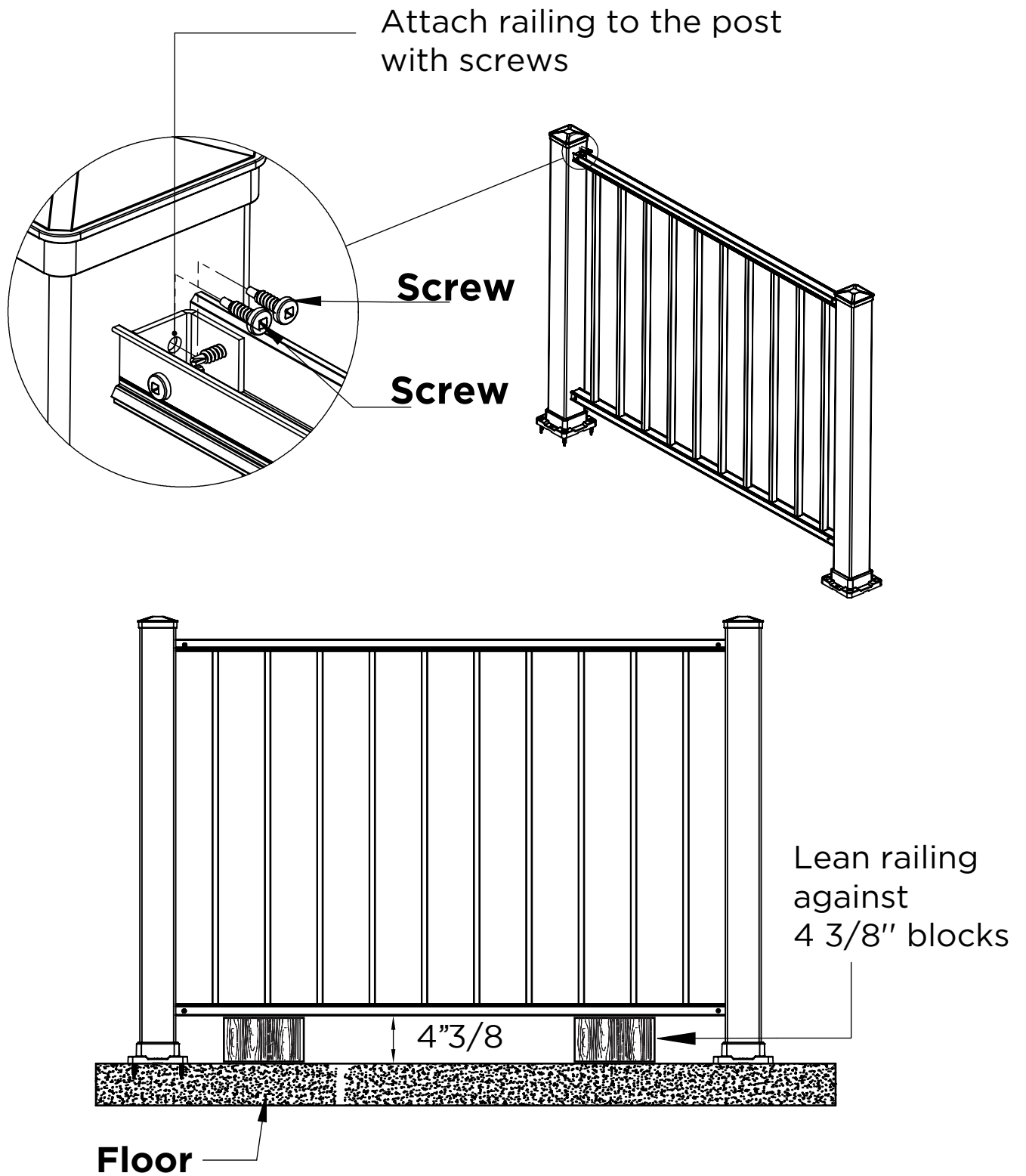
---

Place the spacer at the end. Secure it using 2 screws.



# STEP 5

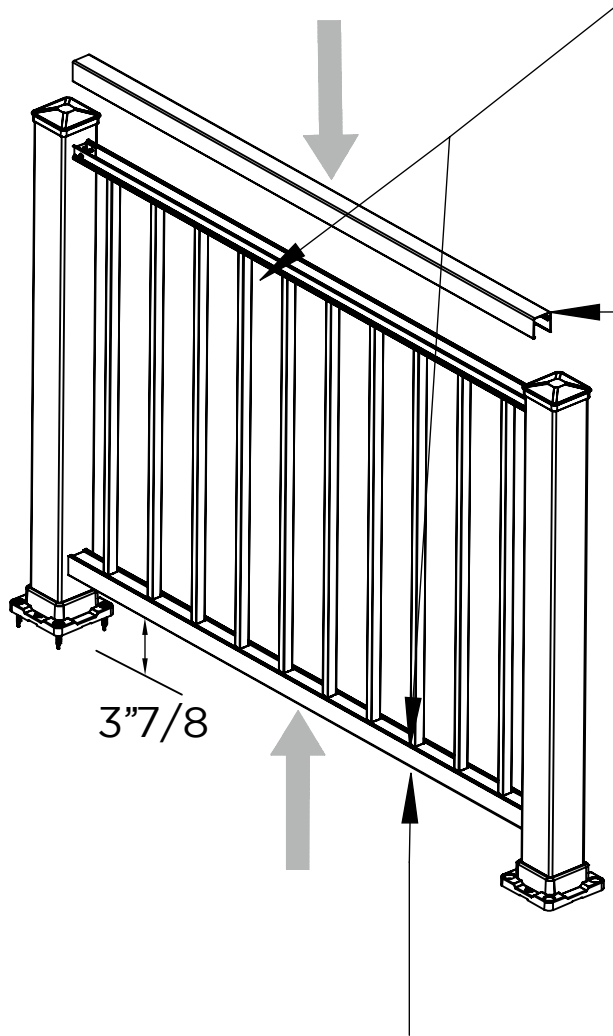
---



# STEP 6

---

Insert cap trims on top and bottom of the section.



**UPPER CAP TRIM**

Final result according  
desired height of 37", 43"  
or 48"

**BOTTOM CAP TRIM**  
Drill at step 3

