

INSTALLATION GUIDE



Congratulations for your purchase of Dekavie deck boards, made in Québec of 100% recycled plastic. You have chosen a durable, environmentally friendly and maintenance-free material. This guide will show you, step by step, how to create your new living space to make the most of the sunny days.

GENERAL INFORMATIONS..... 2
 STRUCTURE..... 3
 DECK BOARDS INSTALLATION..... 4
 DECK FINISHING..... 7
 STEPS..... 8
 RAILINGS..... 8

GENERAL INFORMATIONS

Products Features

Dekavie deck boards are made of 100% HDPE recycled plastic (High Density PolyEthylene). So, it is quite normal the board, lengthwise only, expands slightly when exposed to warm temperatures and contracts when exposed to cold. Also keep in mind that plastic is not as structural as wood, so you won't be able to use it as a jack post.

You should never install two boards end-to-end due to the expansion and contraction phenomenon. This avoids creating an opening at the joints, which is less visually attractive. This is also the reason why you cannot place a board or a tip in the opposite direction at the end of the patio (at a 90° angle).

Boards Storage

You have received your Dekavie boards at home and you are now ready to install them. Store the boards on a flat and safe surface to avoid any damage. It is not necessary to cover them.

TEMPERATURE FOR INSTALLATION

The installation temperature is between **10° and 20°C**

WARNING!

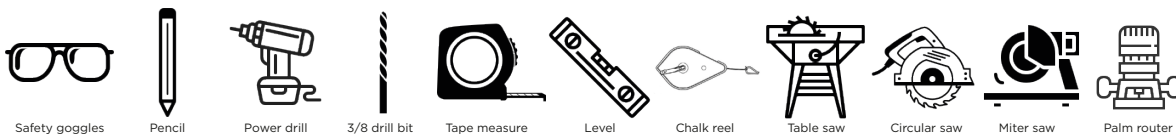
- Do **not** install on existing boards. It must be install on joists.
- You can install Dekavie patio boards on concrete, but it will be impossible to screw directly into it (one of our advisors will explain you the right procedure).
- Always use stainless steel screws.
- Questions? Just call us!

Boards Maintenance

- 100% polyethylene deck boards don't absorbs liquids. It's easy to maintain and wash them. Simply use biodegradable soft soap and a NON-ABRASIVE brush. You can also use a pressure washer. Boards are easier to clean when it's sunny and warm outside, as it's the moment they are most expanded.
- Do not use steel brush, abrasive products or too strong solvent.

Tools to use

No special tools are required since you can use the same ones that you use when working with wood.



WARNING: be extremely careful when using power tools.

STRUCTURE

Follow local applicable building codes for the structure and the necessary drainage slope, depending the length of your deck (www.rbq.gouv.qc.ca). Also make sure to follow your town-planning rules. **We suggest to do the structure with a minimum of 2x8 planks.**

Preparation

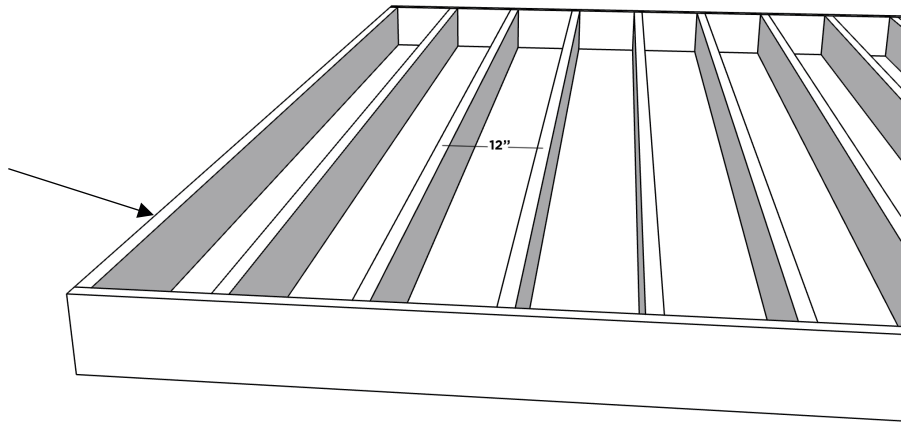
- Basic structure can be made of wood. If you are using wood, we strongly recommend to install a waterproof membrane on each joists to prevent it from early rotting. This 4" wide membrane is available at Dekavie.



Joists Distance

Joists at each 12" for deck boards of *less than 20 feet*

Joists at each 10" for deck boards of *more than 20 feet*

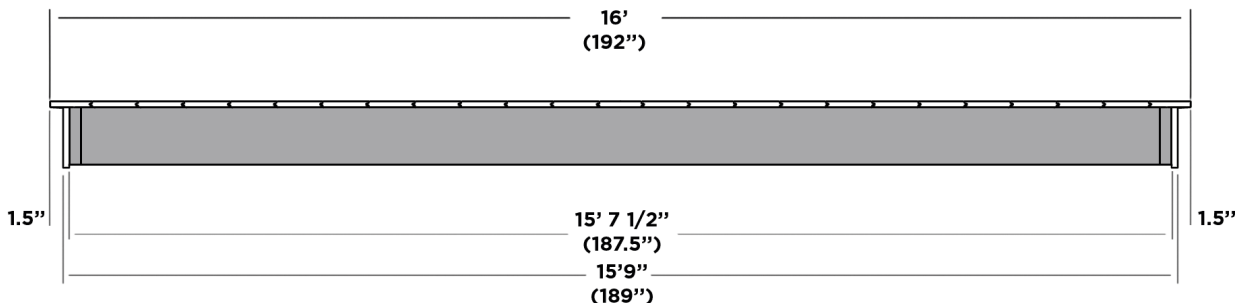


Once deck boards are installed, they must exceed of 1" to 1,5" min. from structure and its finish (fascia, vertical boards, etc.). Before building the structure, it's important to evaluate this overflow. That means if you want a 10' x 16' final size-deck, the structure must be a little bit smaller.

Example of a 16' x 16' final size deck, with a 1,5" exceed, and beams covered with 3/4" thick fascia on 4 sides:

boards 192" x 192" / fascia 3/4" / structure 187,5" x 187,5".

If deck is against the house, exceeding is necessary on 3 sides only: boards 192" x 192" / fascia 3/4" / structure 187,5" x 189,75"

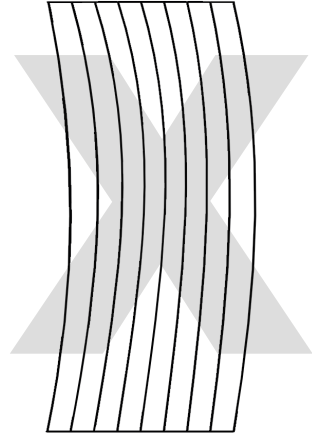
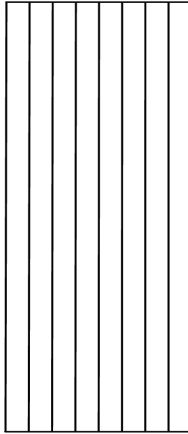


BOARDS INSTALLATION

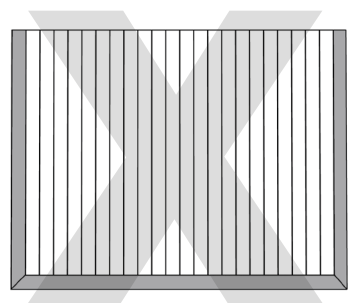
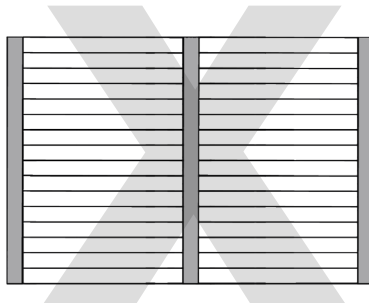
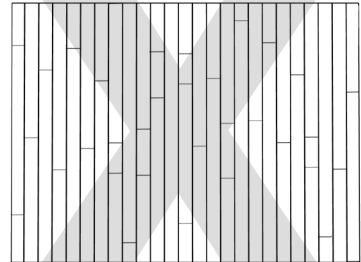
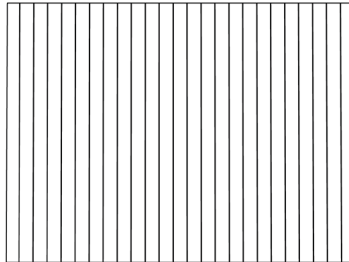
Preparation

- Spread the boards on your structure at least an hour before starting the installation. This will even the temperature of the boards and will help you verify their conformity (*make sure to install your boards on the same side as they were on the pallet*).
- Measure the excess to evaluate the cuts to be made on the first and last boards of the deck (to avoid having a full-length board at one end of the deck and another too short at the other end). You must also think of extending an excess edge of 1 to 1.5 inches from the structure itself.

To make sure you install the first board straight, check regularly with a laser level during installation because 100% recycled plastic boards are flexibles.

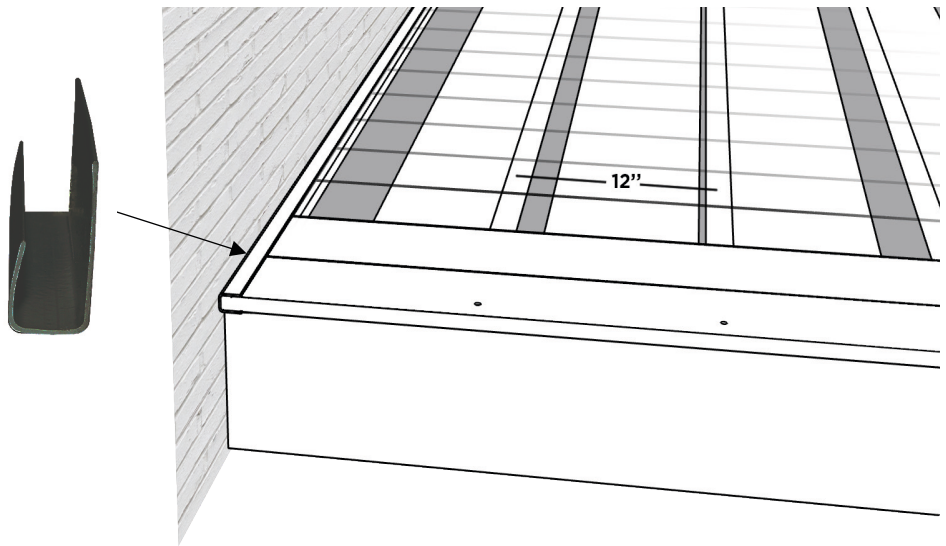


You should **never install** two boards **end-to-end**. If needed, our advisors will explain you the procedure. Furthermore, **never put boards** in a perpendicular way due to expansion factor.



If boards are perpendicular to a wall, we suggest you install our J trim. It will give a nice finishing touch. If desired, it is possible to put a silicone joint between the trim and the wall.

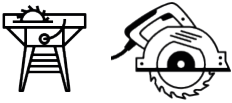
On the other hand, if you don't put a J trim, it's useless to put silicone between the boards and the wall as there will be no grip.



Instructions

1. Cut the male part

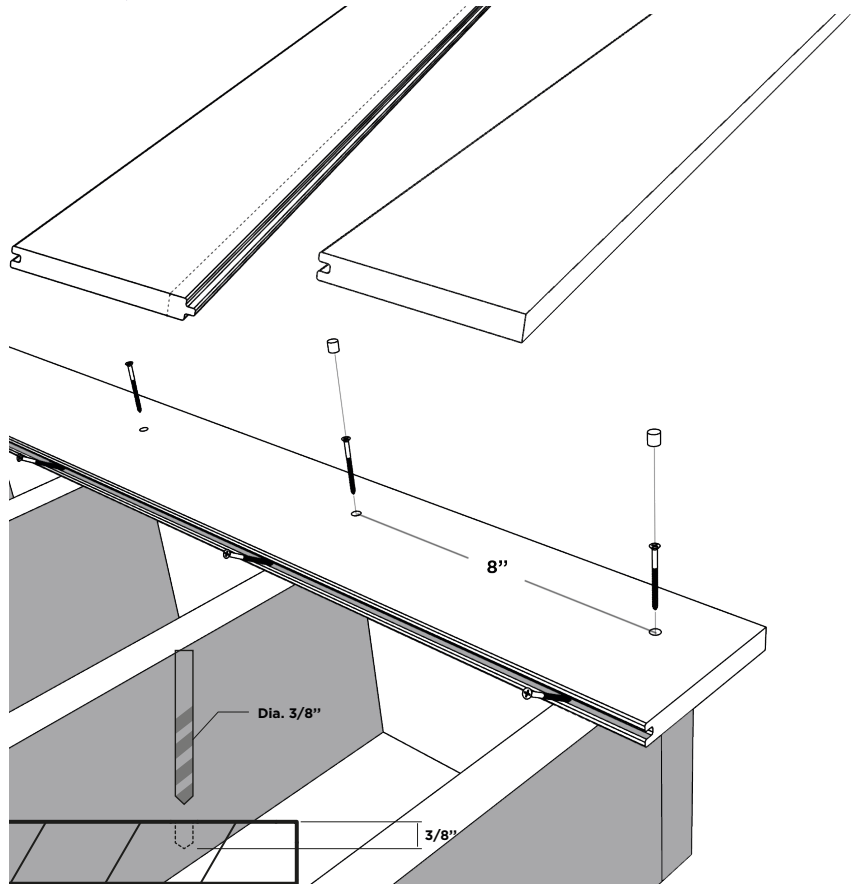
of the first board (or more, according your measurement from step 2 of Boards Installation > Preparation).



2. Screw the 1st board

from above or from under with your stainless screws. If it's from above, pre-drill a 3/8" deep hole using a 3/8" drill bit, to fit screw caps afterwards.

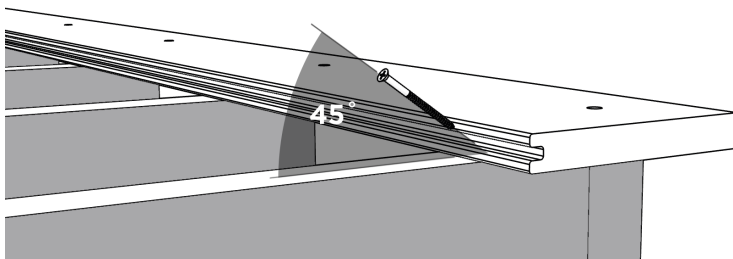
Warning: screw the boards on the edge of the patio every 8 inches.



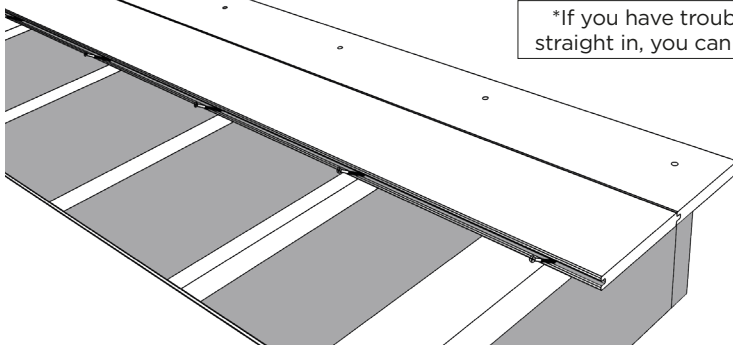
Never screw starting from the ends towards the center.

If you do the installation alone, it's better to start from left to right or reverse. If two people are installing the same board, always start to screw from the centre outwards.

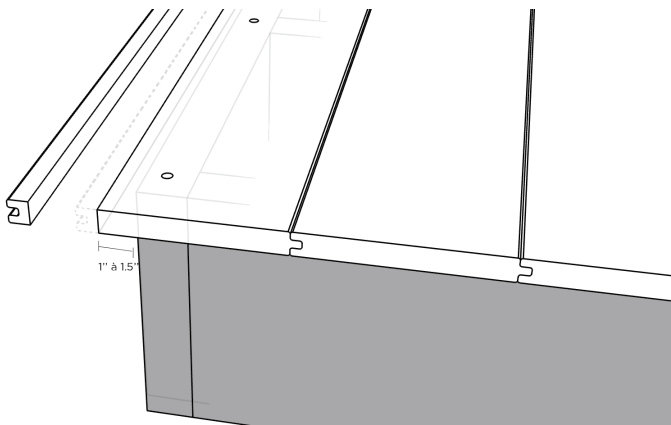
3. Now, **at each joist**, screw **deeply** the screws at a 45° angle inside female part* and, insert male part of the second board inside female part of installed board. Tap it with your hands to make sure it is inserted all the way and screw again in every joist.



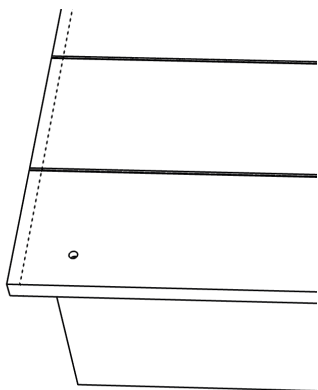
4. **Insert male part** of the 3rd board inside female part of installed board and tap with your hands to make sure it is inserted all the way. Check your boards are straight and screw again in every joist.



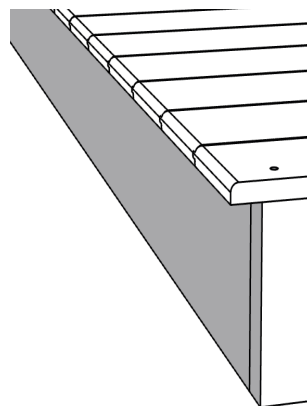
5. **Repeat steps 1 and 2** for female part of the last board and don't forget to leave an excess edge of 1" to 1,5" from the structure.



6. **WARNING: let the boards rest minimum 2 hours before drawing the line and cutting your boards.** Once all boards are installed, **draw a line at the end of the deck** using the chalk reel to make a clean, straight cut. Don't forget to leave an excess edge of 1" to 1,5" from deck finishing.



7. If desired, **you can use a palm router** to round the edges of your deck. For a straight finish, simply use a file to soften the saw cut.



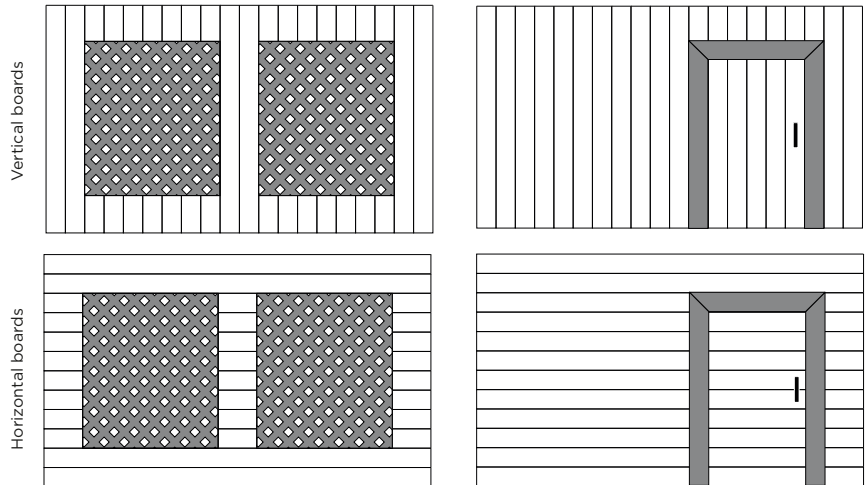
DECK FINISHING

Finishing your deck properly will make a huge difference. By adding a membrane, you can waterproof under the deck (visit our website for more details). Also, leave a small space at bottom to allow aeration.

Dekavie boards: to hide structure, there's many advantages to install vertical or horizontal Dekavie boards.

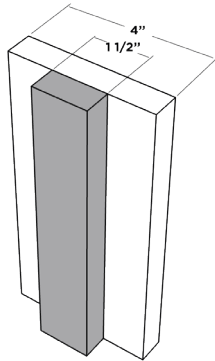
1. You can retrieve excess of boards (if there's some).
2. Screws, inside female part, reduce the quantity of screw caps needed (except corners).
3. No joint covering needed for vertical boards. For horizontal ones, we strongly suggest to put fascia on corners (see step 3 below).

For vertical boards of 4' and more, we suggest to put a J trim at the top to hide the expansion/contraction

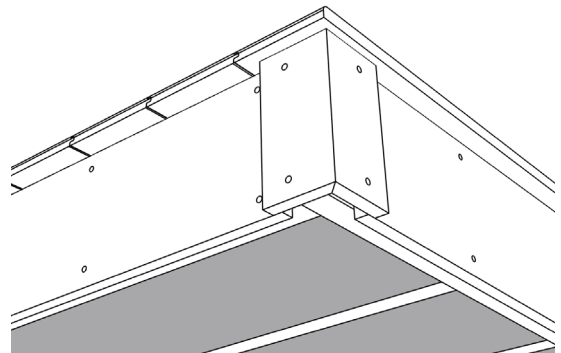
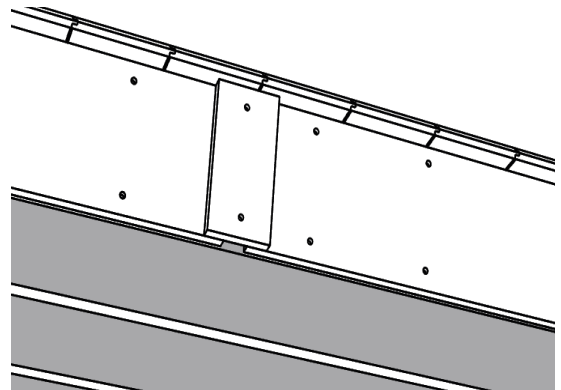
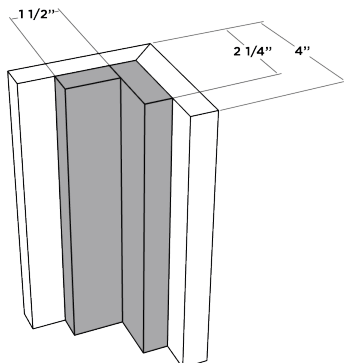


Dekavie Fascia: you can use fascia only as riser or to cover outline beams.

1. Install fascia, screw at each 12" and finish with screw caps.
2. **For joints:** leave a 2,5" space between the 2 fascia boards. Cut a 4" x 8" fascia piece to cover the joint and another one of 1,5" x 8". Screw the joint part and the 1,5" piece centered between the 2 spaced boards.



3. **For corners:** end the fascia at 2" of the corner on each side. Take 2 pieces of 4" wide fascia, join them at a 45° angle and assemble from the inside with a small piece of 2,25" and another one of 1.5". Then fix the corner with 4 screws into the wood.

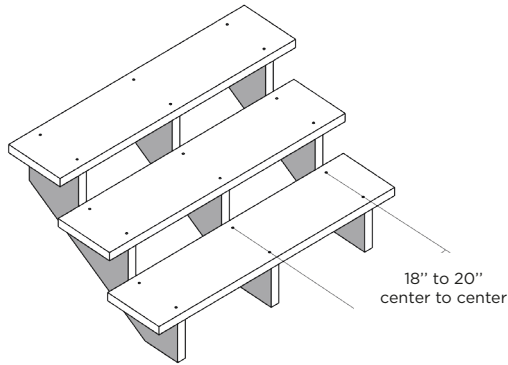


STEPS INSTALLATION

You can make steps with Dekavie boards or steps. For steps, follow instructions below.

Fix the steps on wood or metal stair risers. Screw them, from below or from the top, and finish with screw caps (fix them like step 2 from Installation boards>Instructions).

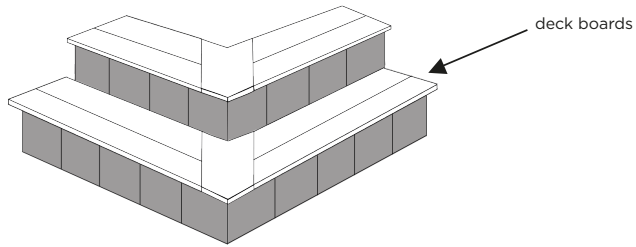
REALLY important: stair risers can't exceed 18" to 20" in distance.



Way to do angle steps*

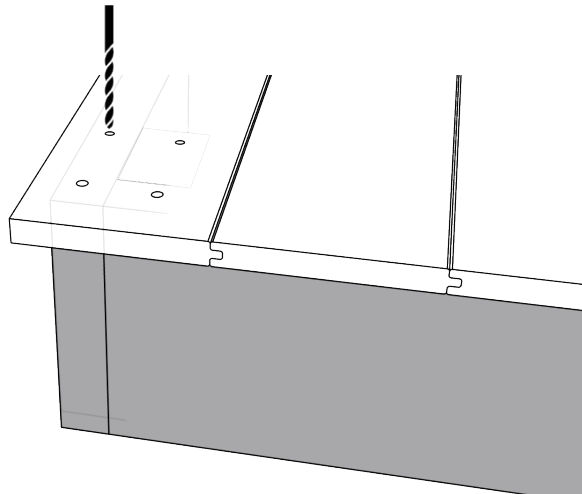
Install a straight plank (bevelled end) between two angle cut boards.

Angled steps must be done **only with deck boards.*



RAILINGS INSTALLATION

Before installing railings, it's important to **pre-drill** the boards to make **holes bigger of min. 1/4"** than **anchors**. The screws must penetrate the wooden structure below to ensure the sturdiness of the banisters. If necessary, add wood piece to fix anchors into it.



WARNING!

When installing a post (like a pergola post for example), *leave a 1/4" space* all around for board expansion.